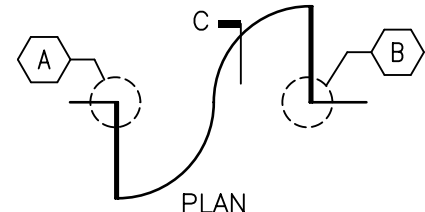
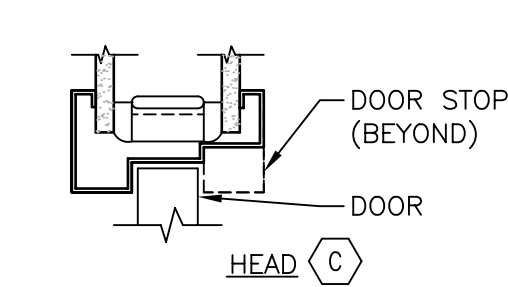
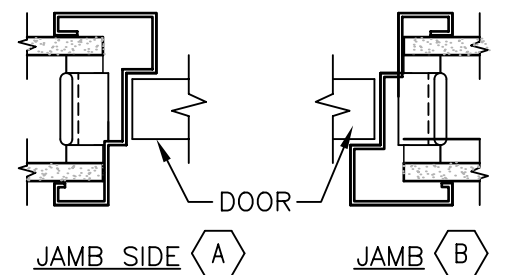


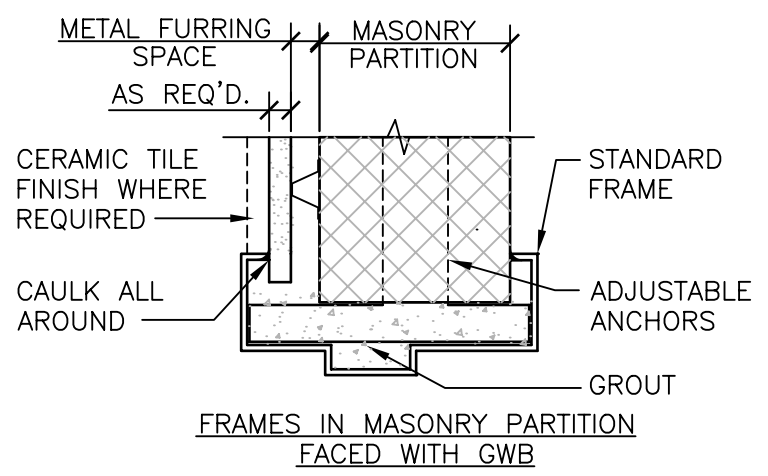
NOTE: SHOWING SWING OF DOUBLE EGRESS DOORS.
DOUBLE EGRESS DOOR FRAME



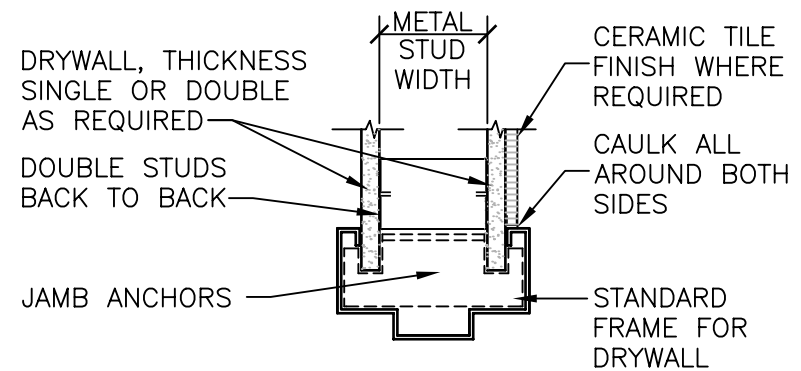
NOTE: SHOWING THE SWING OF DOUBLE EGRESS DOORS.



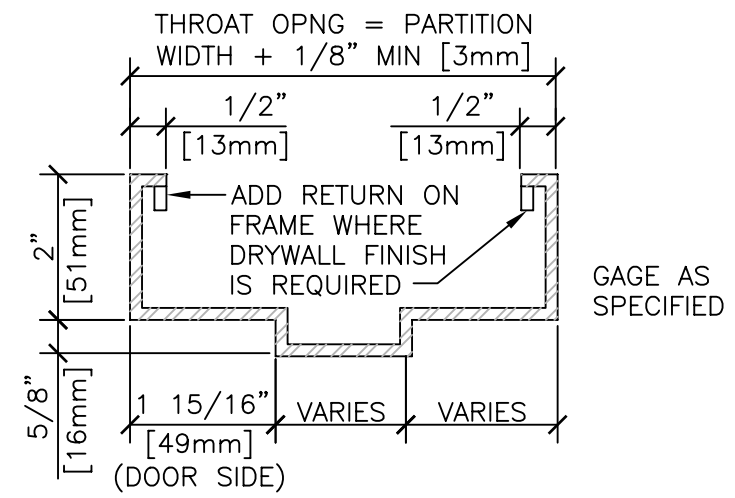
SECTIONS DOUBLE EGRESS DOORS



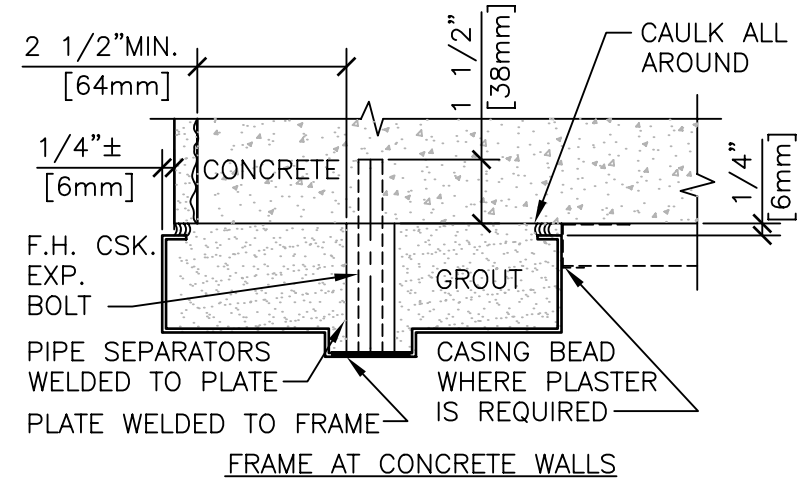
FRAMES IN MASONRY PARTITION FACED WITH GWB



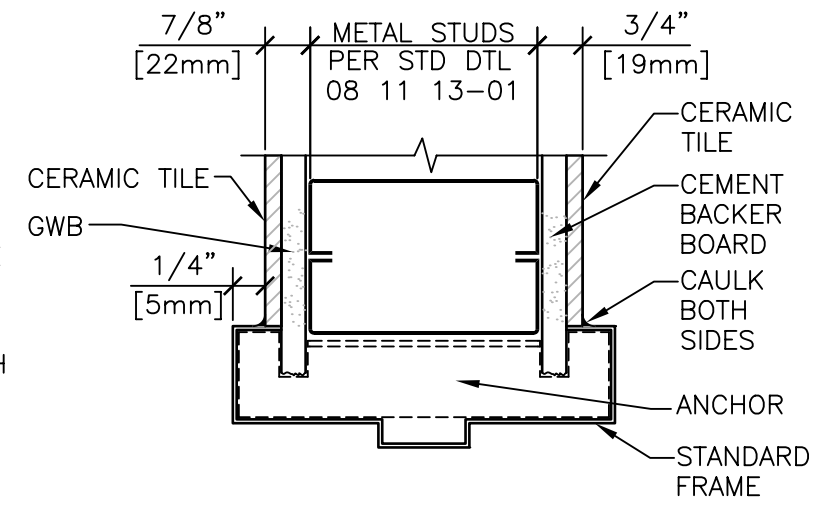
FRAMES IN METAL STUD PARTITIONS



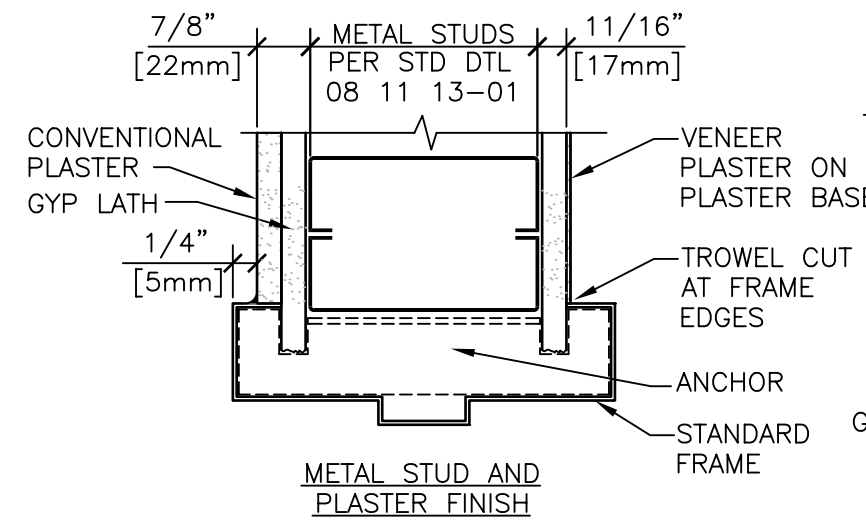
STANDARD DOOR FRAME



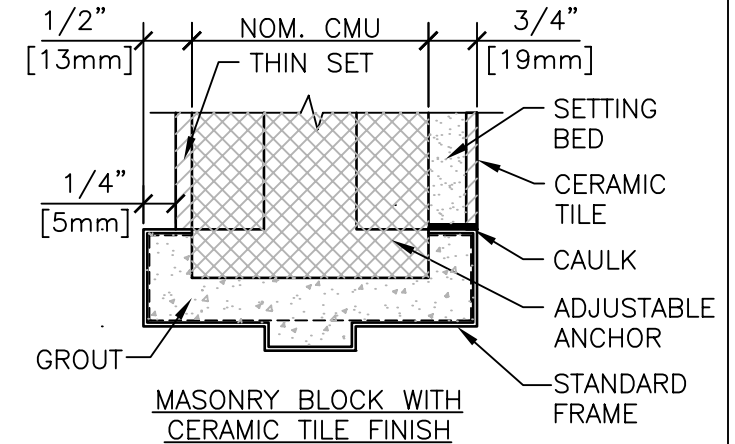
FRAME AT CONCRETE WALLS



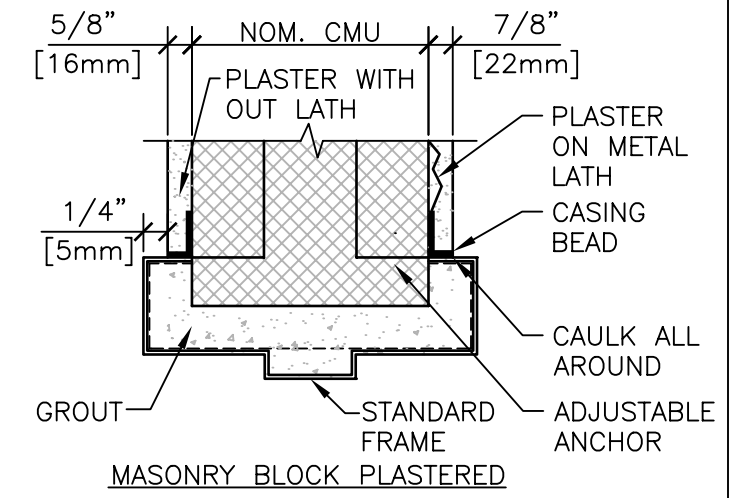
TILE FINISH



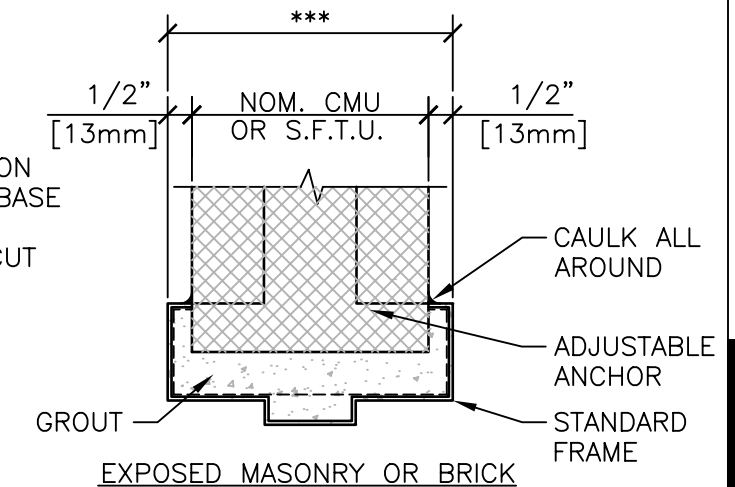
FRAMES WITH METAL STUD AND PLASTER PARTITIONS



MASONRY BLOCK WITH CERAMIC TILE FINISH



MASONRY BLOCK PLASTERED



FRAMES IN MASONRY PARTITION

*** FRAME WIDTH FOR NOMINAL MASONRY
4 3/4" w/ 4" CMU [100 / 100 mm]
6 3/4" w/ 6" CMU [160 / 150 mm]
8 3/4" w/ 8" CMU [210 / 200 mm]

INTERIOR DOOR FRAMES

NTS