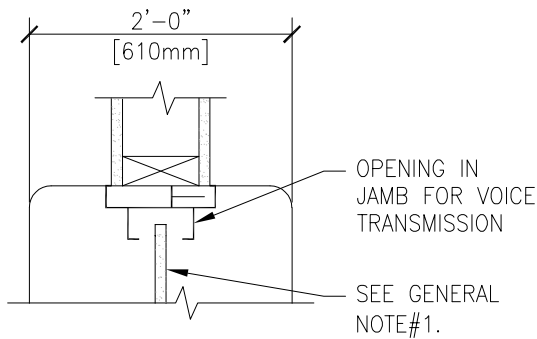
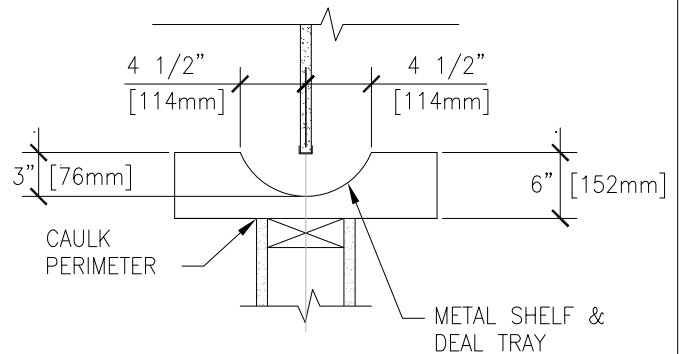


ELEVATION



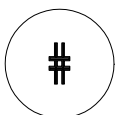
SECTION A (HEAD SIMILAR)



SECTION B

GENERAL NOTES:

1. SEE PHYSICAL SECURITY AND RESILIENCY DESIGN MANUAL (SECTION 5.12 PHARMACY) FOR ADDITIONAL DISPENSING PARTITIONS AND OPENINGS REQUIREMENTS.
2. PROVIDE AN INTERLOCK ON PACKAGE TRANSFER DOORS SO THAT BOTH DOORS CANNOT BE OPEN AT THE SAME TIME.



# PHARMACY SERVICE WINDOW AND PACKAGE TRANSFER

NTS



DETAIL TITLE / PHARMACY SERVICE WINDOW AND PACKAGE TRANSFER

SCALE: NONE

DATE ISSUED: DECEMBER 1, 2020

SD085659-01.DWG