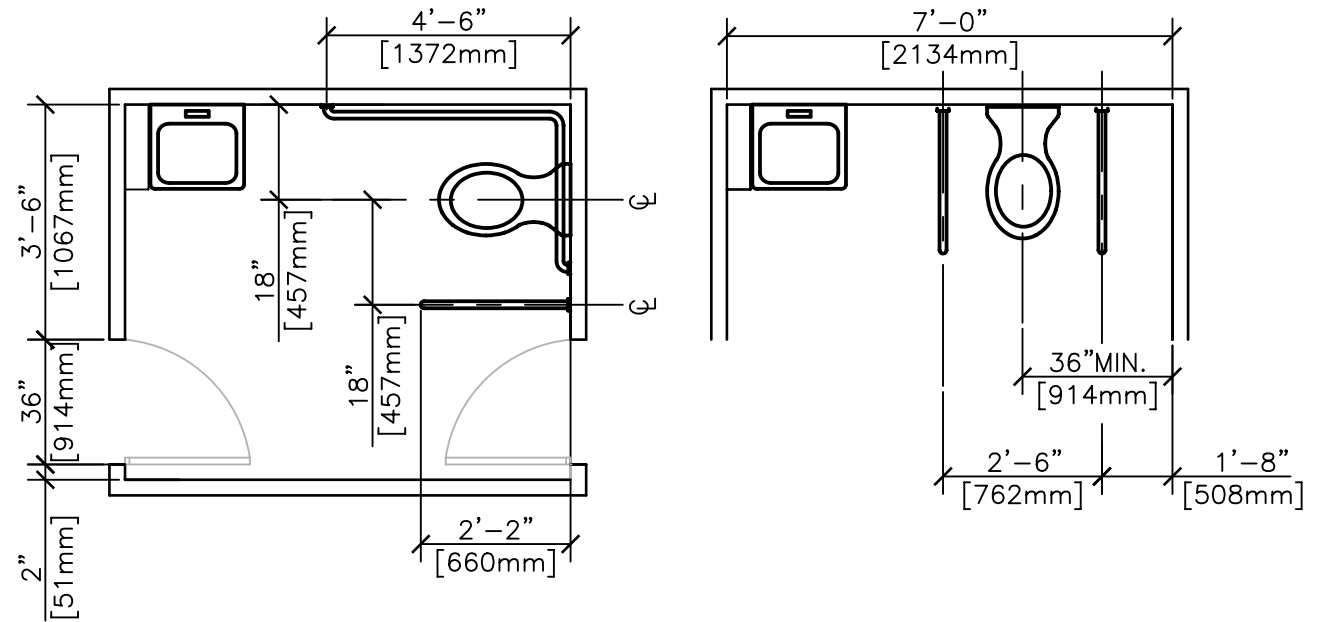
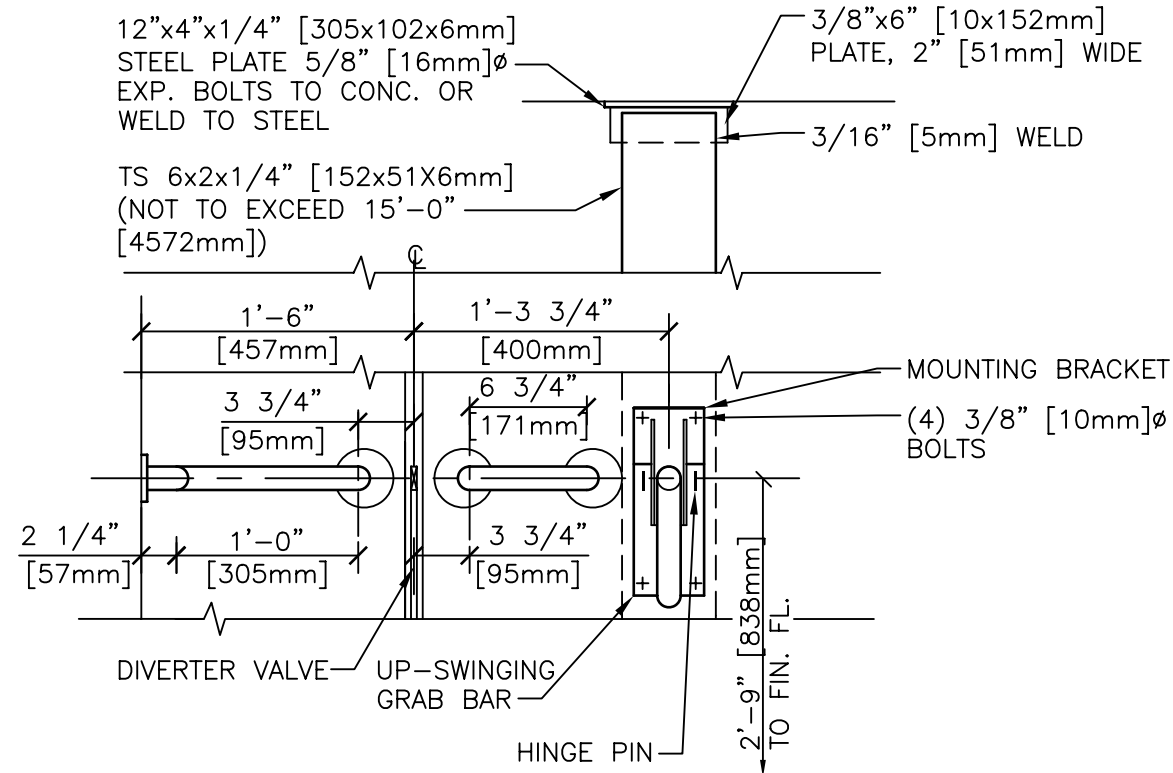


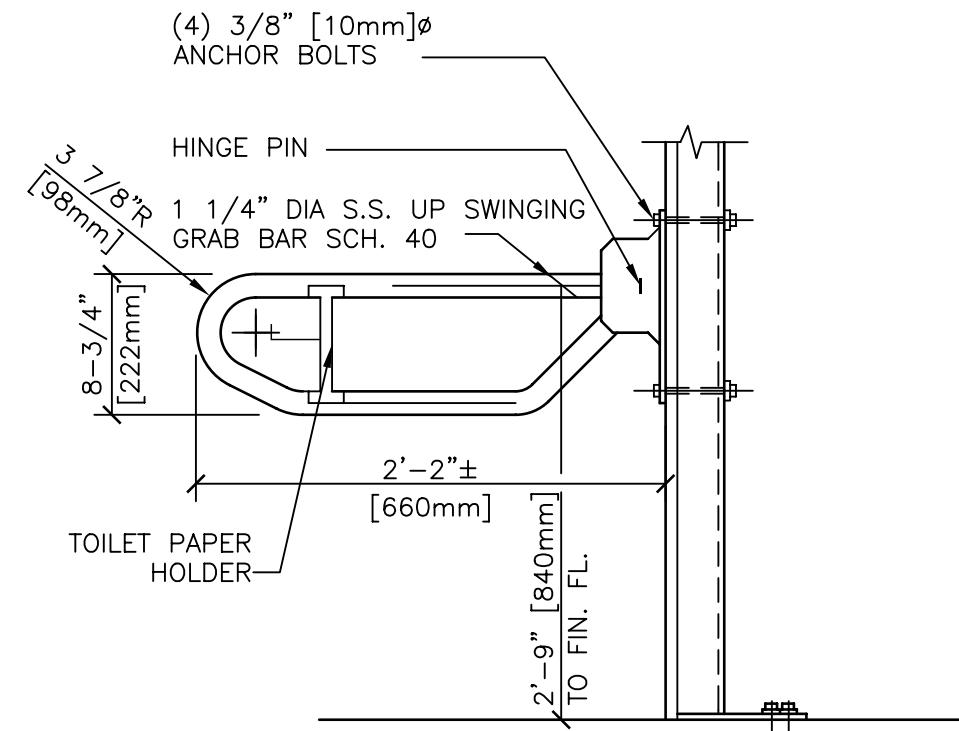
PLAN SHOWING THE STEEL TUBE & PLATE FOR ANCHORING THE UP-SWING GRAB BAR



PLAN OF TOILET ROOM SHOWING RELATIONSHIP OF FIXTURES



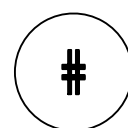
ELEVATION SHOWING POSITION OF UP-SWINGING GRAB BAR



SIDE ELEVATION OF UP-SWINGING GRAB BAR

GENERAL NOTES:

1. INSTALLATION AS SHOWN IS FOR WATER CLOSET WITH DIVERTER VALVE.



UP-SWING GRAB BAR

NTS

DETAIL TITLE / UP-SWING GRAB BAR

SCALE : NONE

DATE ISSUED: DECEMBER 2008

CAD DETAIL NO.: SD102800-02.DWG

