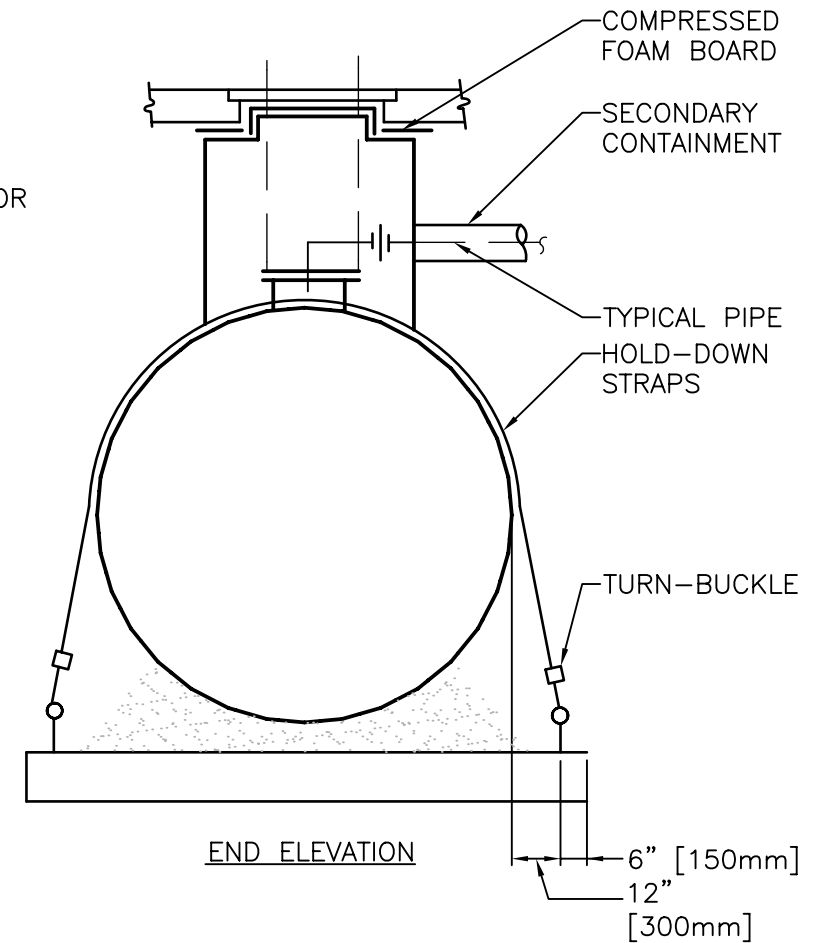
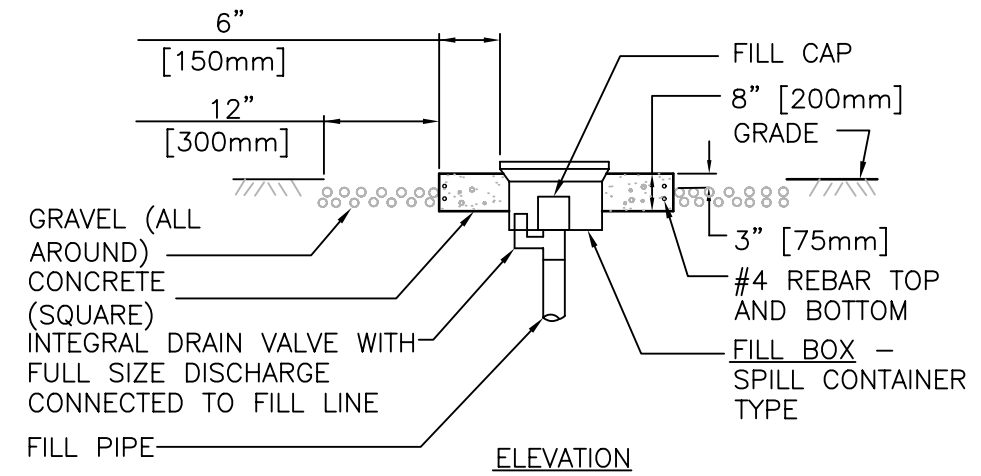
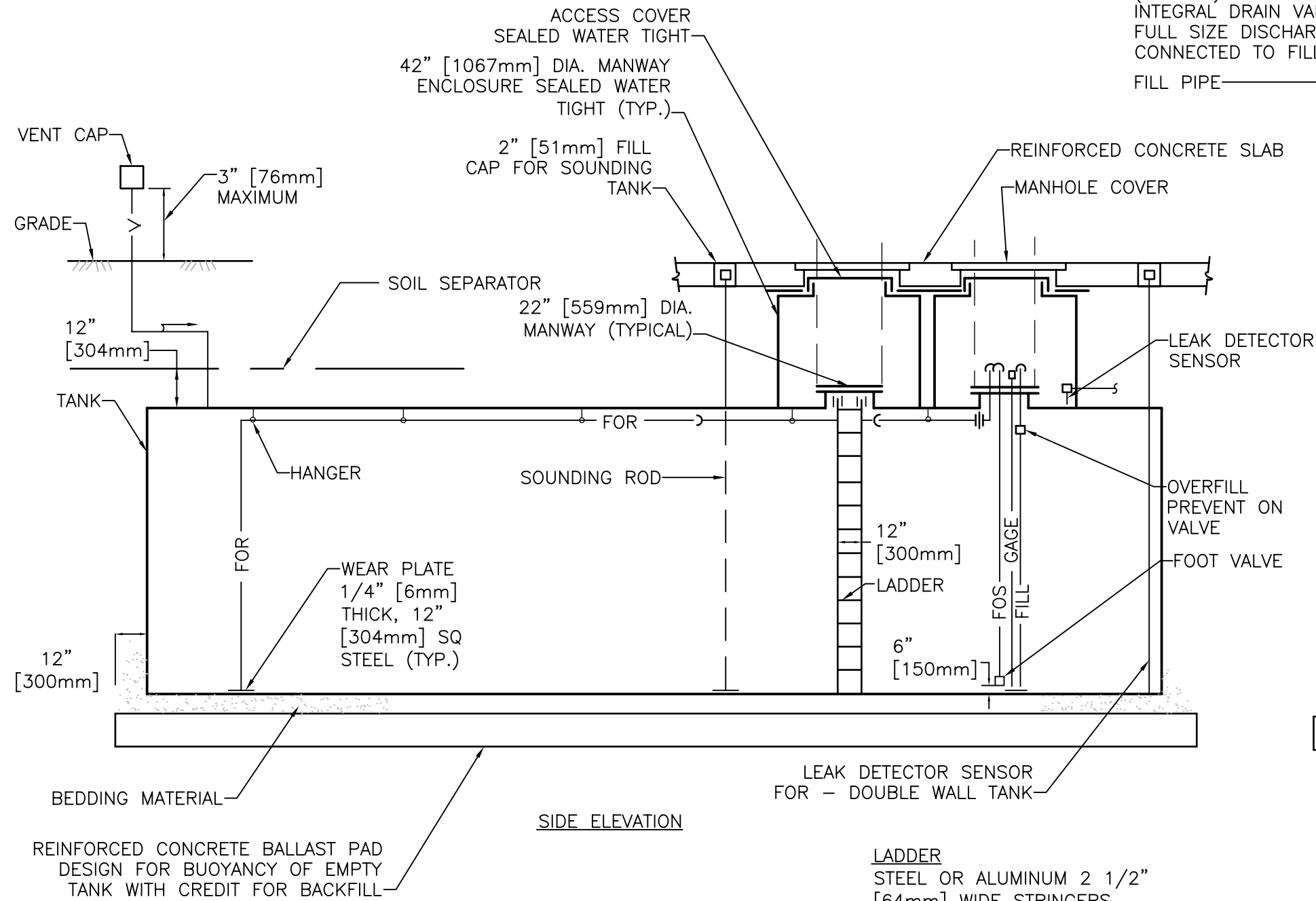
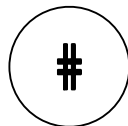


NOTE: THIS DETAIL SHOWS BASIC REQUIREMENTS ONLY AND IS NOT INTENDED FOR USE ON PROJECT DRAWINGS. THE PROJECT ENGINEER MUST PROVIDE A COMPLETE DESIGN WHICH CONFORMS TO PROJECT REQUIREMENTS.



LADDER  
STEEL OR ALUMINUM 2 1/2" [64mm] WIDE STRINGERS  
3/4" [19mm] DIA. RUNGS  
ANCHOR AT BOTTOM GUIDE AT TOP

# UNDERGROUND FUEL OIL STORAGE TANK



NTS

DETAIL TITLE / UNDERGROUND FUEL OIL STORAGE TANK

SCALE : NONE

DATE ISSUED : DECEMBER 2008

CADD DETAIL NO. SD231000-01.DWG

Department of  
Veterans Affairs

