

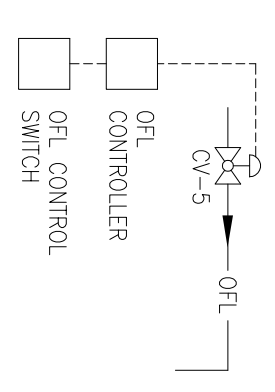
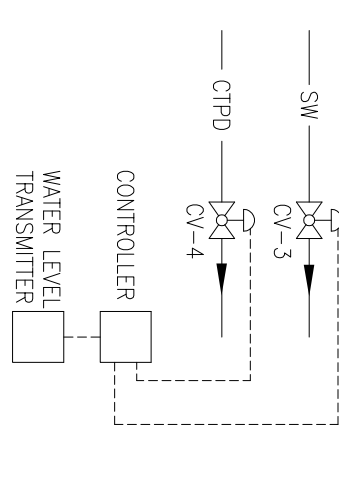
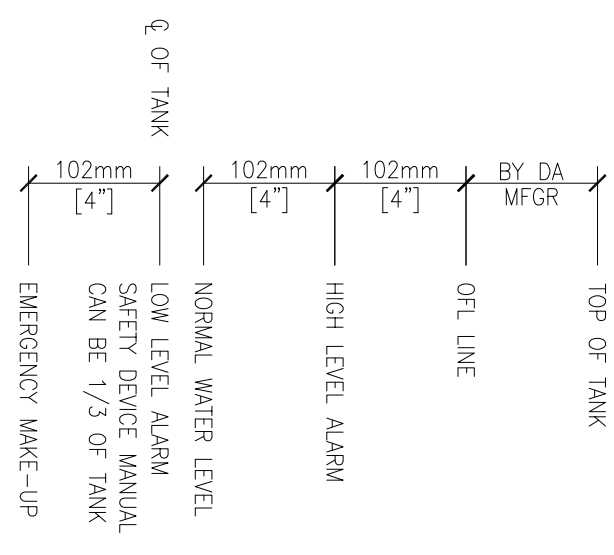
MAINTAIN A STEADY PRESSURE IN THE DA TANK BY SETTING UPSTREAM PRV TO MAINTAIN DESIRED PRESSURE IN THE DA TANK. PRESSURE IS USED TO MAINTAIN TEMPERATURE. TEMPERATURE SHALL NOT BE USED TO REGULATE THE PRESSURE.

FROM PRV STATION (FOR DETAIL SEE SD232213-01)

FROM BOILER FEED WATER PUMPS (FOR DETAIL SEE SD232111-07)

OFL PIPE IN TANK-INLET 150mm [6"] BELOW LOW LEVEL ALARM SET POINT

TO CONDENSATE STORAGE TANK. TANK TO BE ASME STAMPED FOR THE DESIGN PRESSURE AND TEMPERATURE OF THE APPLICATION.



FEEDWATER DEAERATOR FLOW DIAGRAM

NTS

- DESIGNER'S NOTE:
- SEE SD232111-04 BASIC FLOW DIAGRAM - CONDENSATE AND BOILER FEEDWATER FOR COMPLETE SYSTEM.
 - DELETE DESIGNER'S NOTE WHEN COMPLETED.