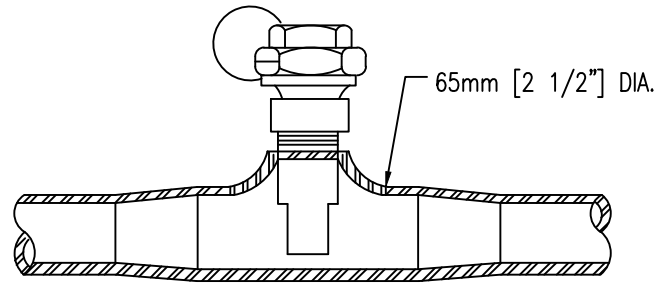
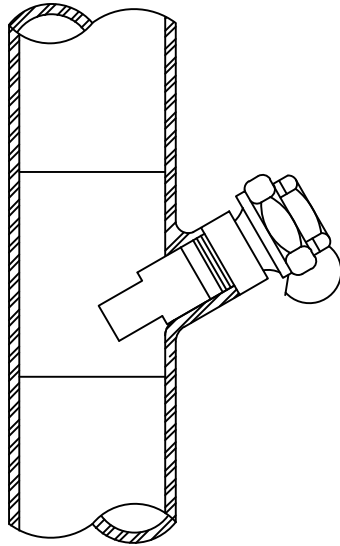


GREATER THAN 50mm [2"] DIA. PIPE

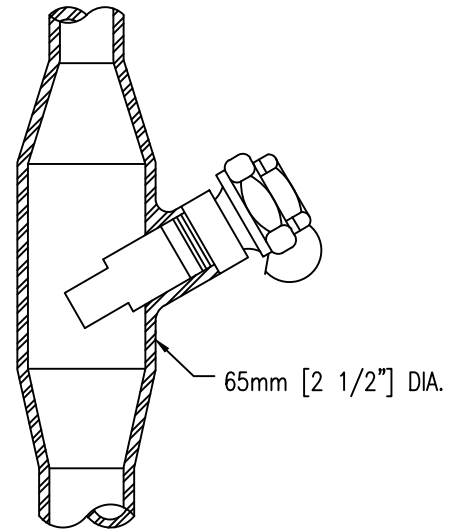


50mm [2"] DIA. & SMALLER

HORIZONTAL



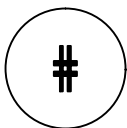
GREATER THAN 50mm [2"] DIA. PIPE



50mm [2"] DIA. & SMALLER

VERTICAL

NOTE:
 PROVIDE THE APPROPRIATE WELL DEPTH TO HAVE THE NECESSARY
 INSULATION STAND-OFF DISTANCE.



INSTALLATION OF THERMOMETER WELLS

NTS



Department of
 Veterans Affairs

DETAIL TITLE: INSTALLATION OF THERMOMETER WELLS

SCALE :NONE

DATE ISSUED :11/01/2017

CADD DETAIL NO. : SD232113-02.DWG