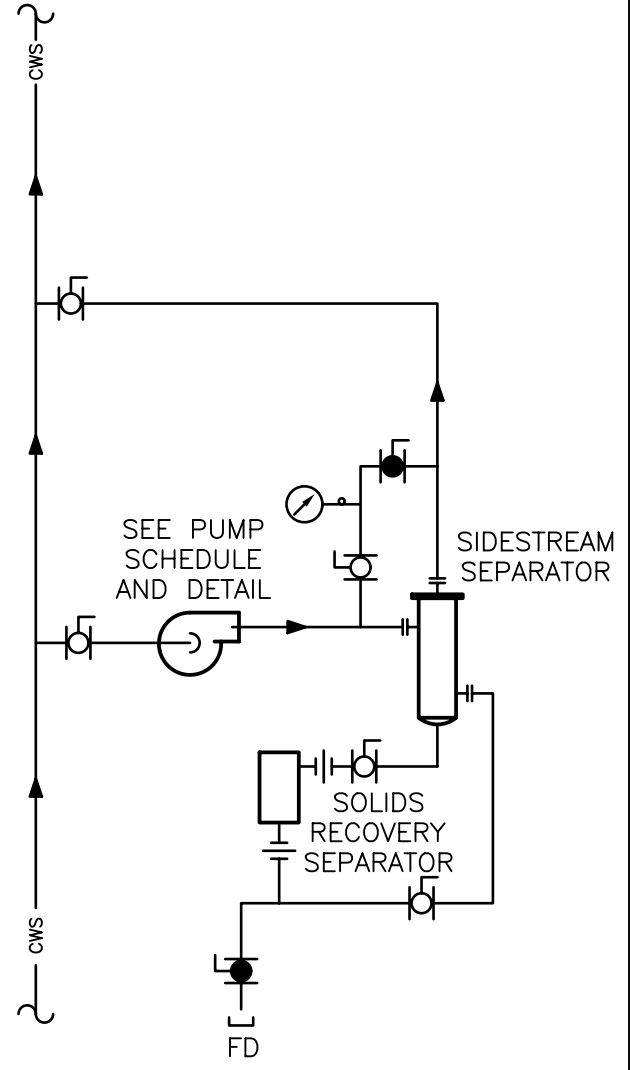


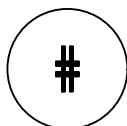
SEPARATOR DETAIL WITHOUT
SIDESTREAM PUMP



SEPARATOR DETAIL WITH
SIDESTREAM PUMP

DESIGNER'S NOTE:

1. PROVIDE EITHER A COMMON SIDESTREAM SOLID SEPARATOR WITH PUMP OR A DEDICATED SEPARATOR FOR EACH CONDENSER WATER SYSTEM.
2. INCREASE CONDENSER WATER PUMP CAPACITY 5%–8% FOR A DEDICATED SIDESTREAM SEPARATOR.



SIDESTREAM SOLID SEPARATOR

NTS



Department of
Veterans Affairs

DETAIL TITLE / SIDE STREAM SOLID SEPARATOR

SCALE :NONE

DATE ISSUED: DECEMBER 2008

CAD DETAIL NO.:

SD232500-04.DWG