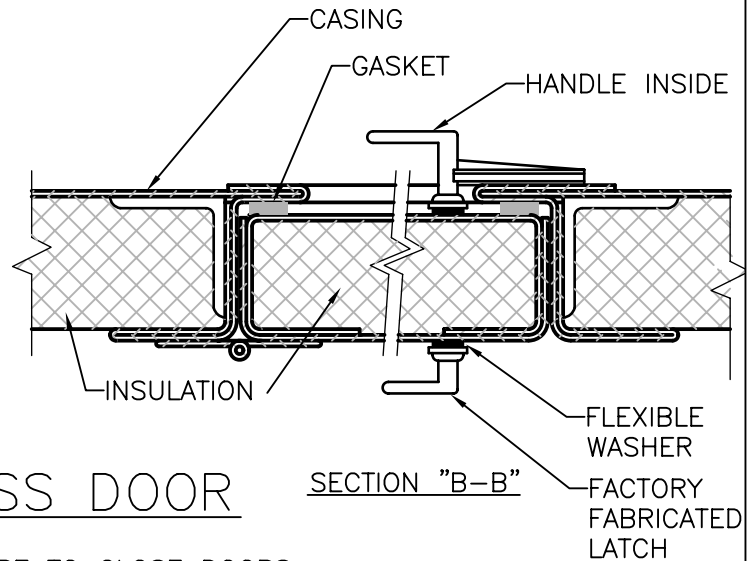
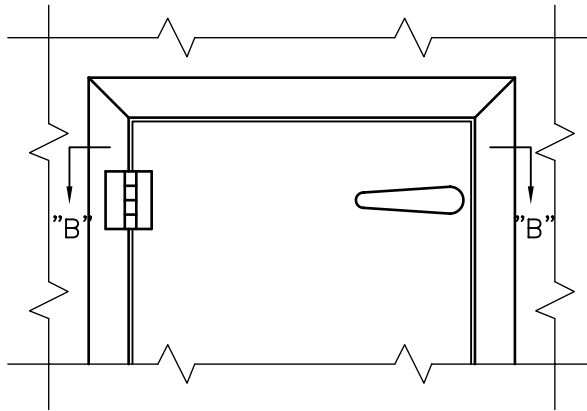


SECTION "A-A"

ACCESS PANEL



SECTION "B-B"

ACCESS DOOR

NOTES:

1. LATCHES SHALL BE OF THE WEDGE TYPE TO CLOSE DOORS TIGHTLY.
2. HINGES ON THE ACCESS DOORS SHALL HAVE NON-CORROSIVE PINS.
3. SEE SMACNA 2005, FIGURE 9-15

#

ACCESS PANEL AND DOOR DETAIL

NTS

DESIGNERS NOTES:

1. USE ACCESS DOORS ON AIR HANDLING UNITS AND DUCTWORK INSTALLED IN EQUIPMENT ROOMS.
2. USE ACCESS PANELS ON ALL EQUIPMENT AND DUCTWORK INSTALLED ABOVE FINISHED CEILINGS.



Department of
Veterans Affairs

DETAIL TITLE / ACCESS PANEL AND DOOR DETAIL

SCALE :NONE

DATE ISSUED :DECEMBER 2008

CADD DETAIL NO. : SD233100-09.DWG