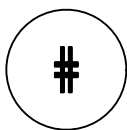
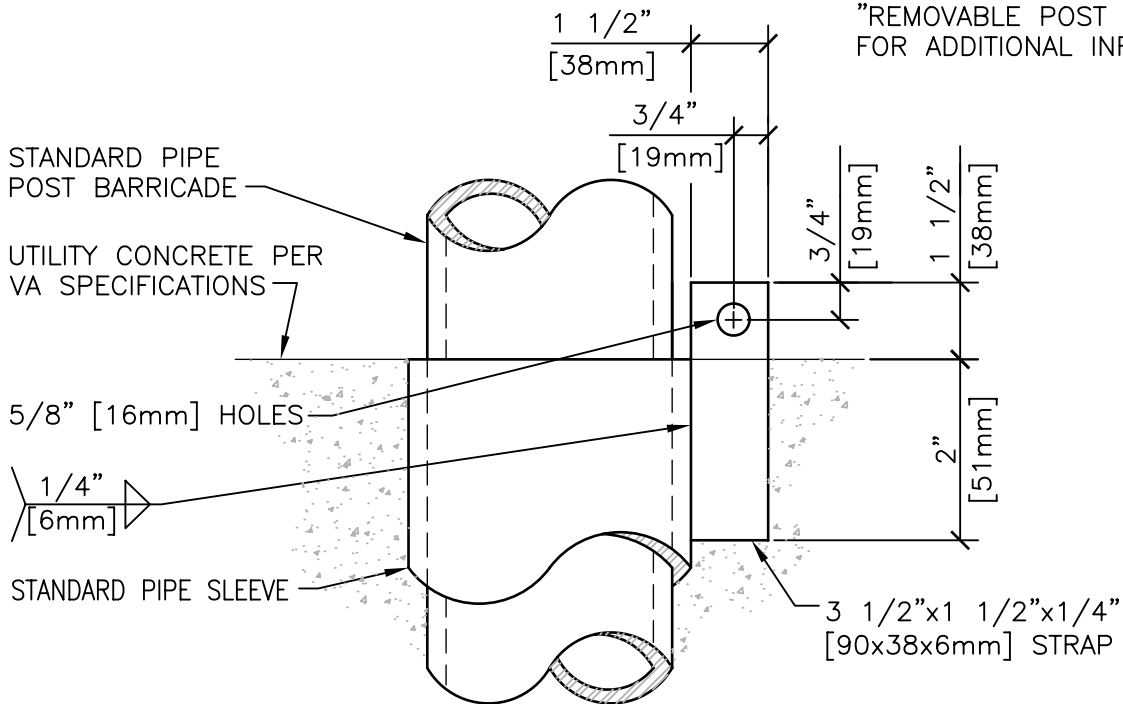


DIMENSION TYP.
EACH SIDE

NOTE:
REFER TO VA STANDARD
DETAILS 32 05 23-04
"CONCRETE POST BARRICADES"
AND 32 05 23-05
"REMOVABLE POST BARRICADE"
FOR ADDITIONAL INFORMATION.



REMOVABLE POST BARRICADE - STRAP DETAIL

NTS



Department of
Veterans Affairs

DETAIL TITLE / REMOVABLE POST BARRICADE - STRAP DETAIL

SCALE :NONE

DATE ISSUED: DECEMBER 2008

CAD DETAIL NO.: SD320523-06.DWG