

* MAY BE REDUCED TO 1' [305mm] DUE TO R.O.W. CONSTRAINTS. HOWEVER, IF DISTANCE BETWEEN BACK OF CURB AND BACK OF SIDEWALK IS LESS THAN 7' [2134mm], THE DISABLED SPACE SHALL NOT BE DESIGNATED "VAN ACCESSIBLE".

■ WARP TO MATCH

▣ TACTILE GROOVES. PLACE GROOVES IN CONC. 1" [25mm] APART, 1/4" [6mm] WIDE, 1/8" [3mm] DEEP. GROOVES MAY BE SAWCUT OR TOOLED.

▲ TYPE 'A' POST BARRICADE PER VA STANDARD DETAIL 32 05 23-04 "CONCRETE POST BARRICADE". FINISH WITH BLUE ENAMEL AND 4" [100mm] WHITE REFLECTORIZED TAPE. THE ENGINEER SHALL APPROVE THE SHADE OF BLUE ENAMEL PRIOR TO USE. FACE OF POST BARRICADE SHALL BE 2" [50mm] FROM EDGE OF CONCRETE.

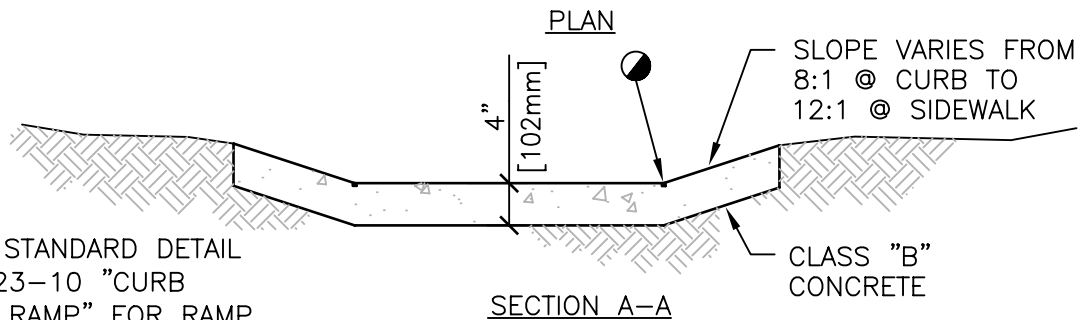
● 1/4" [6mm] DEEP SCORED JOINTS EVENLY SPACED (8' [2.4m] MAX. SPACING)

● 1/2" [13mm] BITUMINOUS JOINT FILLER.

NOTE: DEPRESSED CURB IN RAMP AREA SHALL BE PLACED MONOLITHIC WITH RAMP

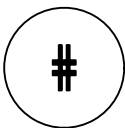
△ TRUNCATED DOMES DETECTABLE WARNING STRIP

○ 6" [152mm] REVEAL VERTICAL CURB PER VA STANDARD DETAIL 32 05 23-17 "CONCRETE CURB AND TERMINAL SECTION" CURB MAY BE ELIMINATED IN CENTER 4' [1219mm] IF APPROVED BY ENGINEER



NOTE:
SEE VA STANDARD DETAIL 32 05 23-10 "CURB ACCESS RAMP" FOR RAMP DETAIL AT GUTTER LINE.

VAN ACCESSIBLE CURB ACCESS RAMP AT DISABLED PARKING STALLS



NTS



Department of Veterans Affairs

DETAIL TITLE / CURB ACCESS RAMP - AT DISABLED PARKING STALLS

SCALE : NONE

DATE ISSUED: DECEMBER 2008

CAD DETAIL NO.: SD320523-15.DWG