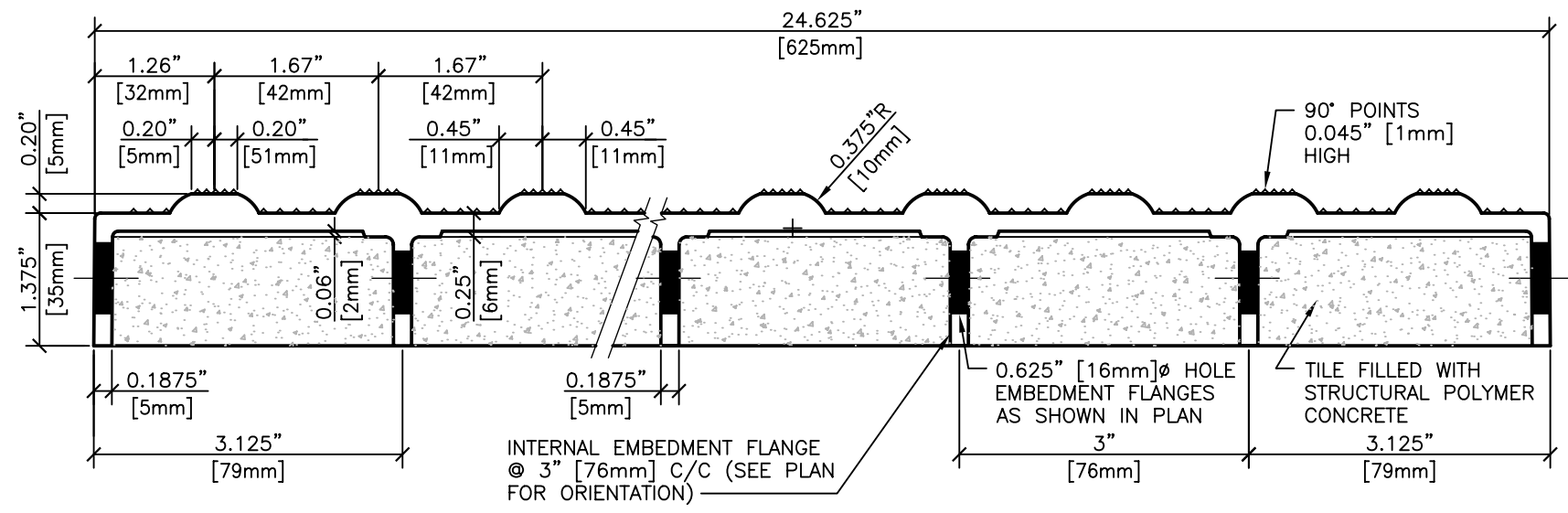
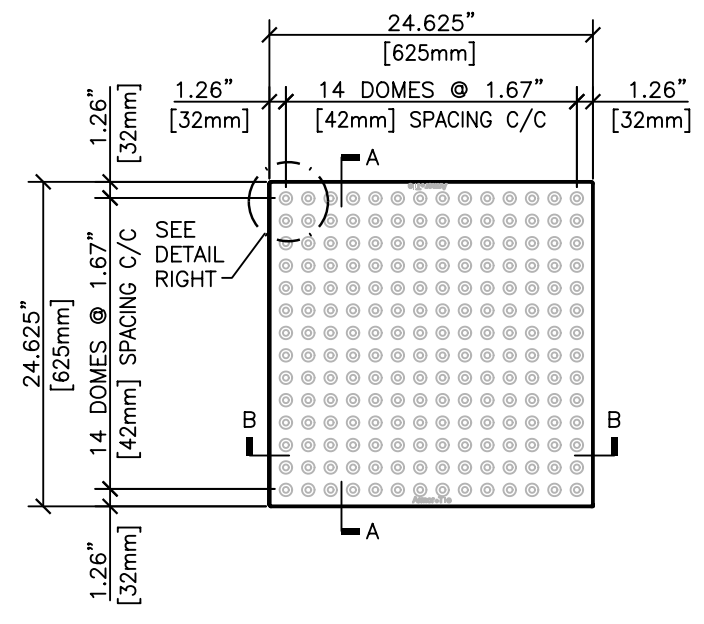


SECTION A-A

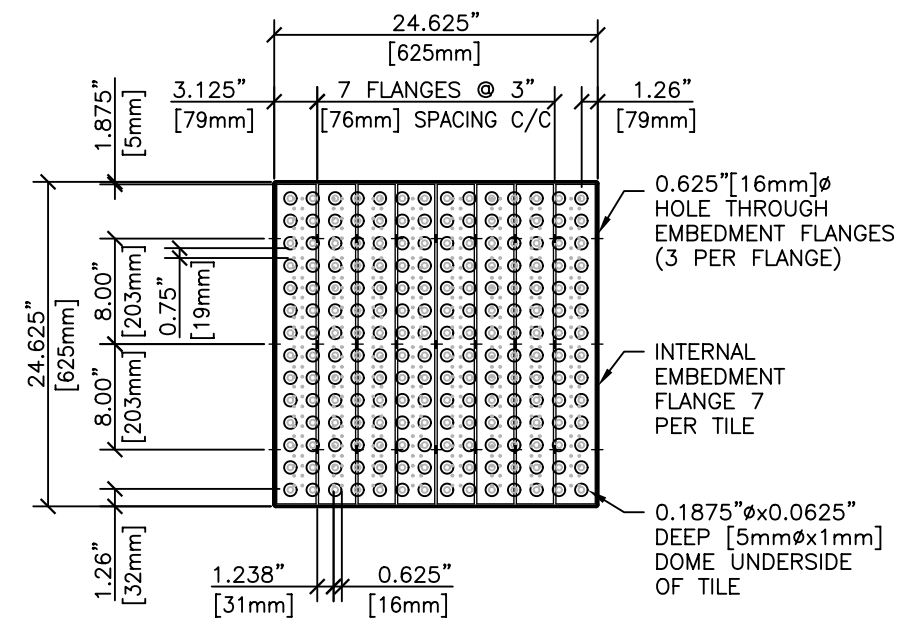


SECTION B-B

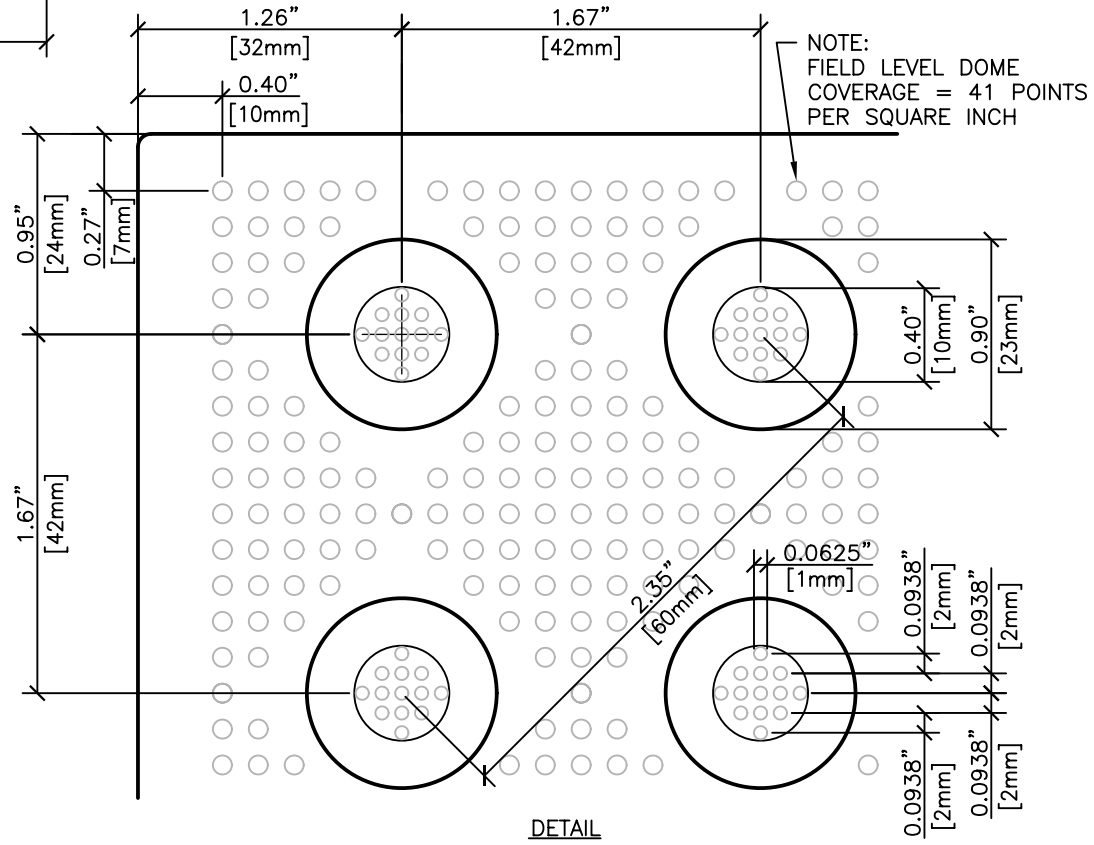
**DETECTABLE WARNING NOTES:**  
 THE DETECTABLE WARNING STRIP MUST COVER THE ENTIRE WIDTH OF THE RAMP OPENING, EXCLUDING THE WINGS. ALL DOMES MUST BE ALIGNED IN THE DIRECTION OF TRAVEL. ONE CORNER OF THE LEADING EDGE OF THE DETECTABLE WARNING MAY BE MORE THAN 5 FEET FROM THE BACK OF THE CURB. WHEN LOCATED ALONG A CURB RETURN, THE LEADING EDGE OF THE DETECTABLE WARNING MAY BE DEFINED BY THE CHORD DRAWN BETWEEN THE LEADING EDGES OF THE RAMP OPENING.



PLAN - TILE



REFLECTED PLAN - TILE



DETAIL

# TRUNCATED DOME TACTILE - WARNING STRIP  
 NTS

DETAIL TITLE / TRUNCATED DOME TACTILE - WARNING STRIP



SCALE : NONE

DATE ISSUED: DECEMBER 2008

CAD DETAIL NO.: SD320523-20.DWG