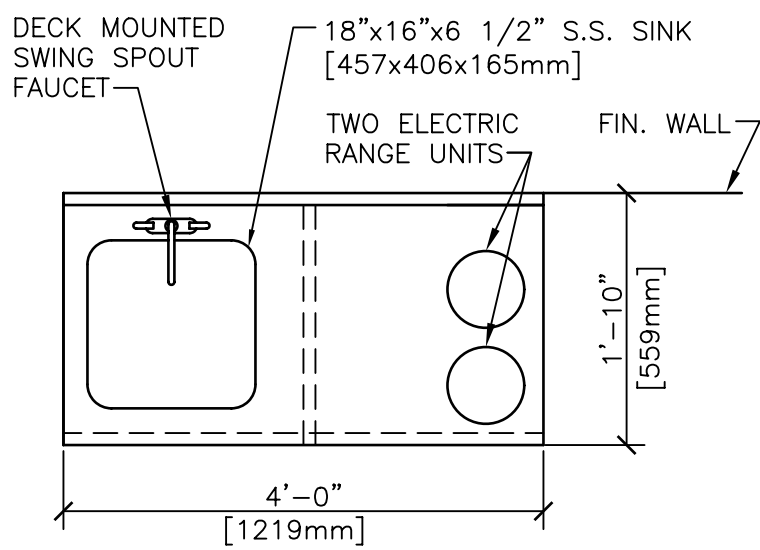
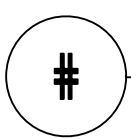


ELEVATION

SECTION



PLAN



# KITCHEN CABINET - TYPE 22F

NTS



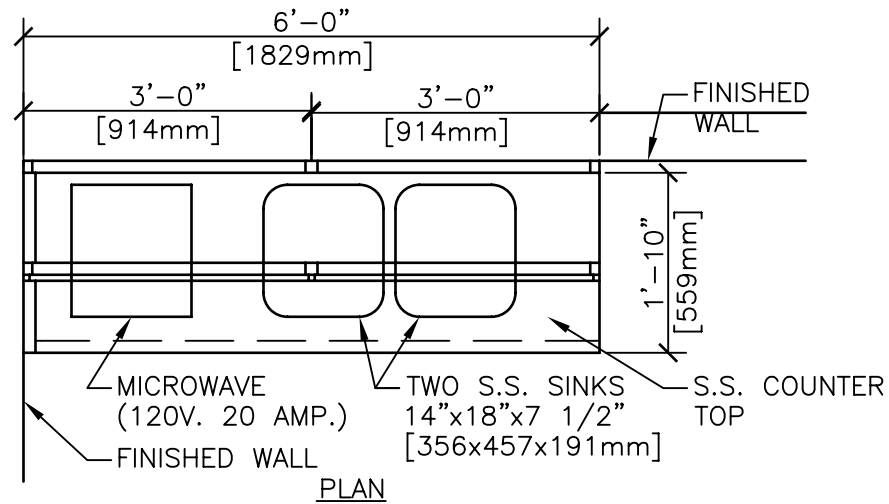
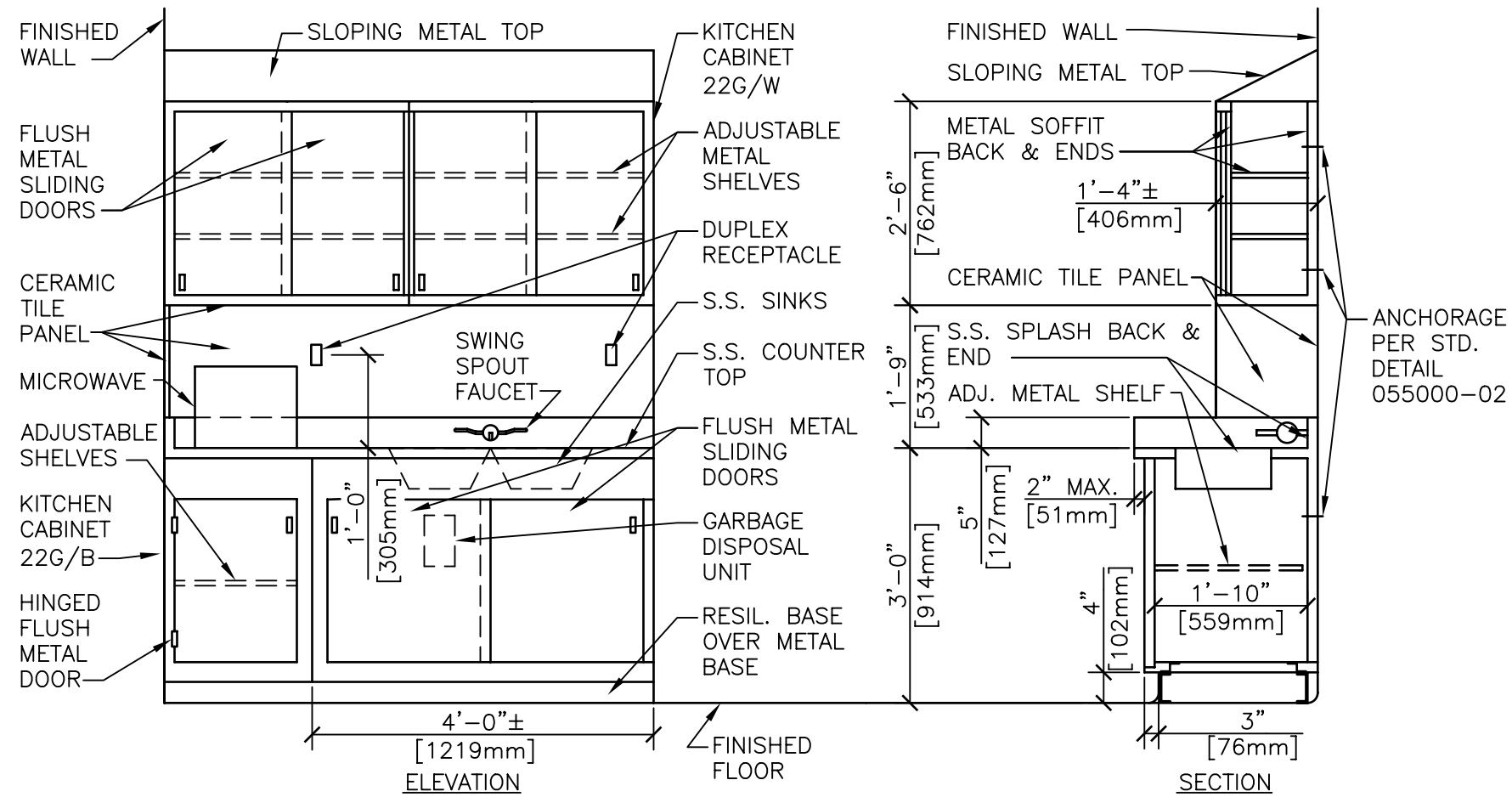
Department of  
Veterans Affairs

DETAIL TITLE / KITCHEN CABINET - TYPE 22F

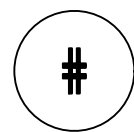
SCALE :NONE

DATE ISSUED: DECEMBER 2008

CAD DETAIL NO.: SD062000-01.DWG



- GENERAL NOTES:**
1. THE CONTRACTOR SHALL SUBMIT SHOP DRAWINGS FOR APPROVAL.
  2. MICROWAVE SHALL BE FURNISHED AND INSTALLED BY VA MEDICAL CENTER.



# KITCHEN CABINET ASSEMBLY - TYPE 22G

NTS

DETAIL TITLE / KITCHEN CABINET ASSEMBLY - TYPE 22G

SCALE : NONE

DATE ISSUED: DECEMBER 2008

CAD DETAIL NO.: SD062000-02.DWG

