

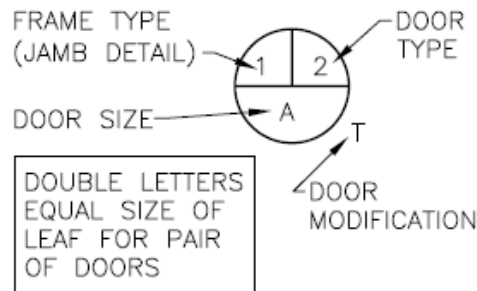
DOOR SIZES

MK	WIDTH		HEIGHT		MK	WIDTH		HEIGHT	
	IN	[mm]	IN	[mm]		IN	[mm]	IN	[mm]
A	1'-6"	[457]	6'-8"	[2032]	N	2'-0"	[610]	7'-0"	[2134]
B	2'-0"	[610]	6'-8"	[2032]	O	2'-2"	[660]	7'-0"	[2134]
C	2'-2"	[660]	6'-8"	[2032]	P	2'-4"	[711]	7'-0"	[2134]
D	2'-4"	[711]	6'-8"	[2032]	Q	2'-6"	[762]	7'-0"	[2134]
E	2'-6"	[762]	6'-8"	[2032]	R	2'-8"	[813]	7'-0"	[2134]
F	2'-8"	[813]	6'-8"	[2032]	S	3'-0"	[914]	7'-0"	[2134]
G	2'-10"	[864]	6'-8"	[2032]	T	3'-4"	[1016]	7'-0"	[2134]
H	3'-0"	[914]	6'-8"	[2032]	U	3'-6"	[1067]	7'-0"	[2134]
I	3'-2"	[965]	6'-8"	[2032]	V	3'-8"	[1118]	7'-0"	[2134]
J	3'-4"	[1016]	6'-8"	[2032]	W	3'-10"	[1168]	7'-0"	[2134]
K	3'-8"	[1118]	6'-8"	[2032]	X	4'-0"	[1219]	7'-0"	[2134]
L	3'-10"	[1168]	6'-8"	[2032]	Y	3'-0"	[914]	8'-0"	[2438]
M	1'-6"	[457]	7'-8"	[2337]	Z	UNASSIGNED			

DOOR MODIFICATIONS

- A LAMINATED GLASS
- D DOUBLE GLAZED TEMPERED GLASS
- H ELECTRIC HOLD
- L LOUVER
- LP LIGHT PROOF LOUVER
- M MECH. SEAL FOR LIGHT PROOF & SOUND RETARDING DOOR
- T TEMPERED GLASS
- U UNDERCUT 1" [25mm]
- V LEAD GLASS
- F FIRE RATED GLAZING

DOOR SYMBOL



LEGEND (SEE ELEVATIONS)

- [- - -] GLASS OR LOUVER REQUIRED BY MODIFICATION
- [- - -] GLASS OR LOUVER REQUIRED BY ELEVATION TYPE

NOTES:

1. ALL DOORS SHALL BE FLUSH – 1 3/4" [44mm] THICK UNLESS NOTED OTHERWISE.
2. TOP & SIDE RAILS SHALL BE 9" [229mm] MIN. BOTTOM RAILS SHALL BE 12" MIN. [305mm].
3. DOOR TYPES 7, 8, & 9 SHALL NOT BE USED FOR OPPOSING DOORS.
4. FOR SCHEDULING DOOR TYPES, SEE PG-18-14.
5. EVEN NUMBERS ARE METAL; ODD NUMBERS ARE WOOD.



Department of
Veterans Affairs

DETAIL TITLE / DOOR SCHEDULE

SCALE :NONE

DATE ISSUED: DECEMBER 2008

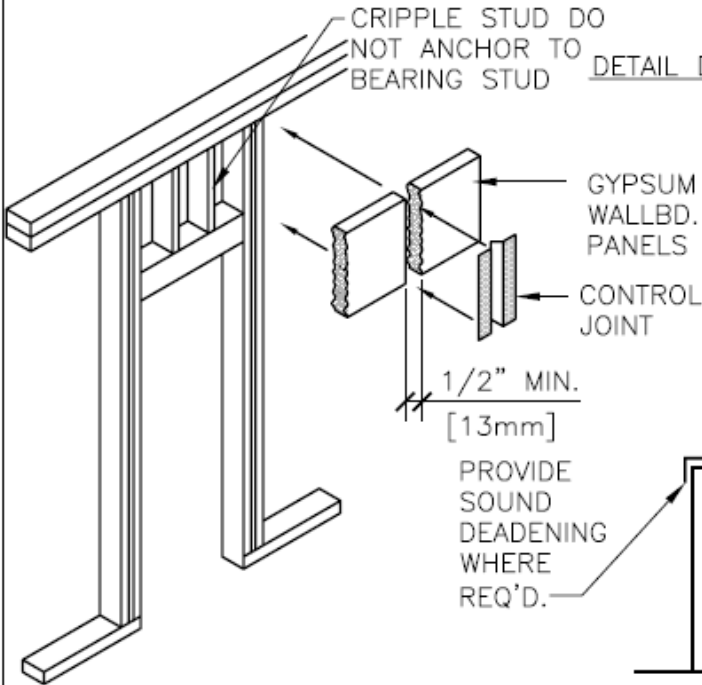
CAD DETAIL NO.: SD080000-02.DWG

VERTICAL STUDS @ 2'-0" [610mm] MAX.
 W/GYPSUM WALLBD. 1'-4" [406mm] W/GYPSUM
 LATH & PLASTER DOUBLE STUDS FOR SUPPORTING
 CONC. BACKER BOARD.

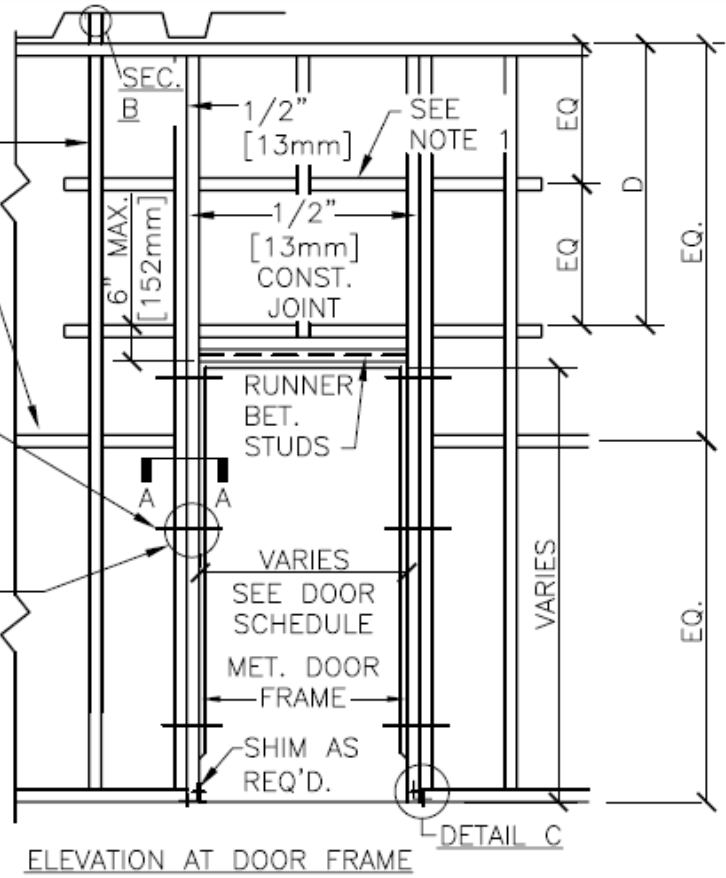
PROVIDE CONTINUOUS BRACING WHEN STUDS
 EXCEED 10'-0" [3048mm] & ARE FINISHED BOTH
 SIDES

JAMB ANCHOR CLIPS 3 PER SIDE -
 COORDINATE W/HINGE REINFORCEMENT.

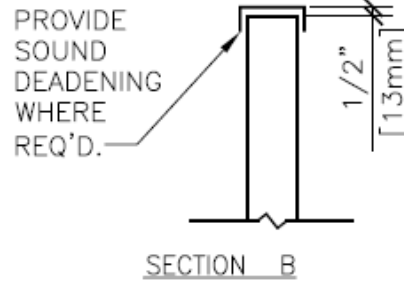
NOTE 1:
 OMIT BRACE WHEN "D" DIMENSION IS LESS
 THAN 2'-0" [610mm] FOR GYP. WALLBD.
 OR 16" [400mm] FOR PLASTER PARTITION.



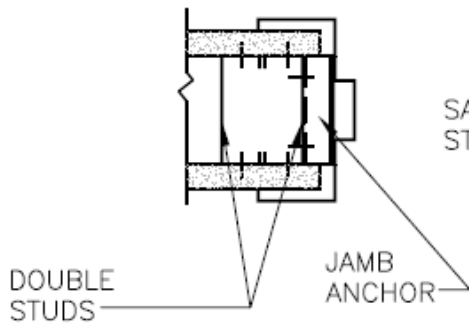
ISOMETRIC OF CONSTR. JT.



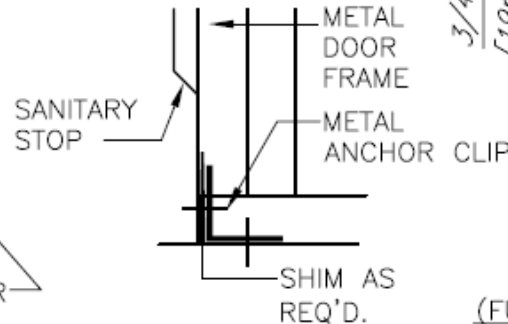
ELEVATION AT DOOR FRAME



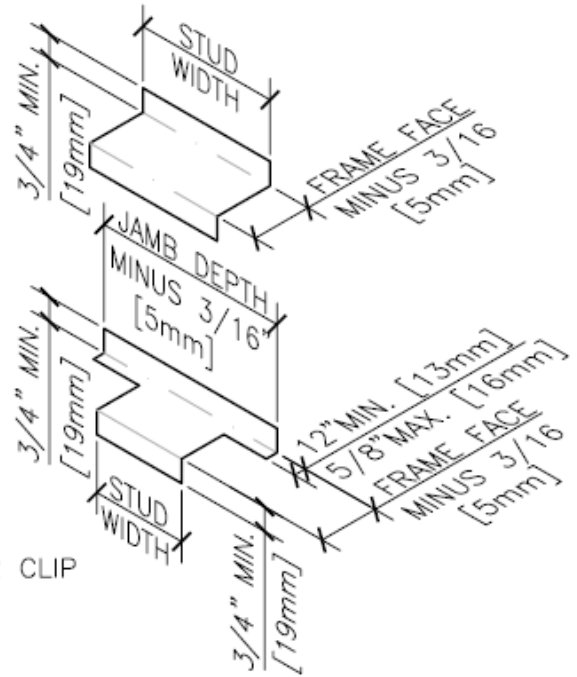
SECTION B



SECTION A



DETAIL C



JAMB ANCHORS
 (FURNISHED WITH FRAME)

DETAIL D



PARTITION FRAMING FOR DOORS

NTS



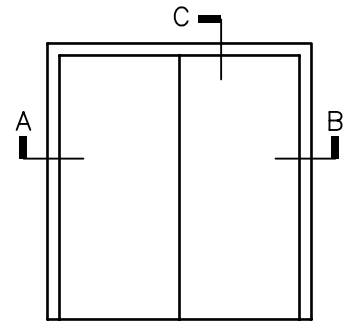
Department of
 Veterans Affairs

DETAIL TITLE / PARTITION FRAMING FOR DOORS

SCALE :NONE

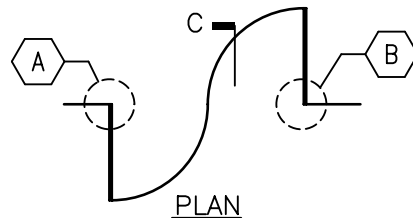
DATE ISSUED :DECEMBER 2008

CADD DETAIL NO. : SD081113-01.DWG

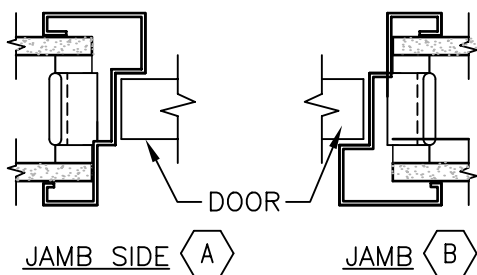


NOTE: SHOWING SWING OF DOUBLE EGRESS DOORS.

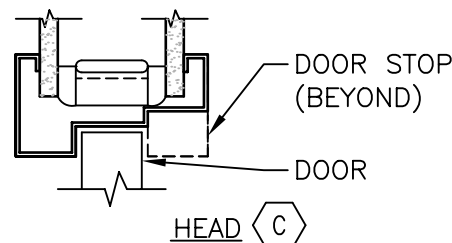
DOUBLE EGRESS DOOR FRAME



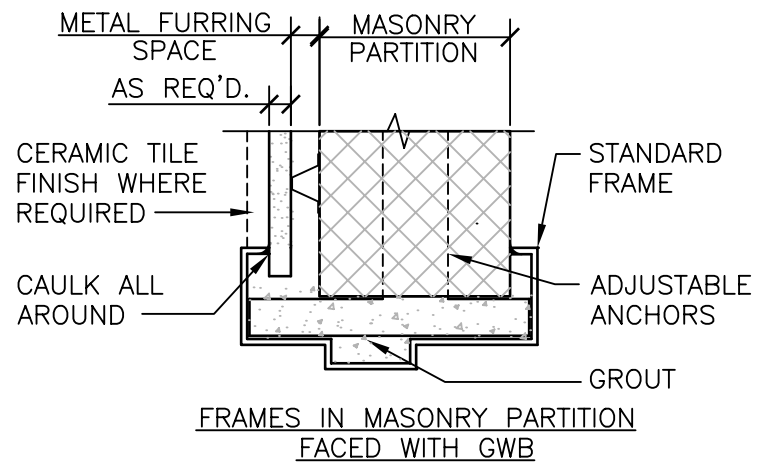
NOTE: SHOWING THE SWING OF DOUBLE EGRESS DOORS.



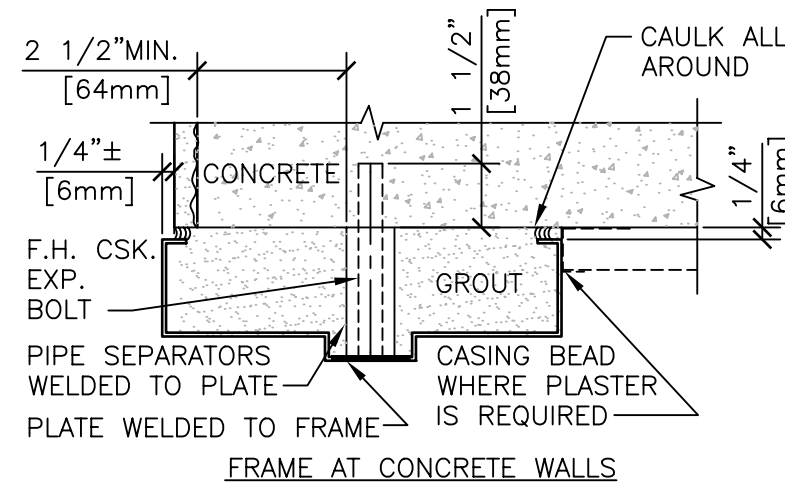
JAMB SIDE A JAMB B



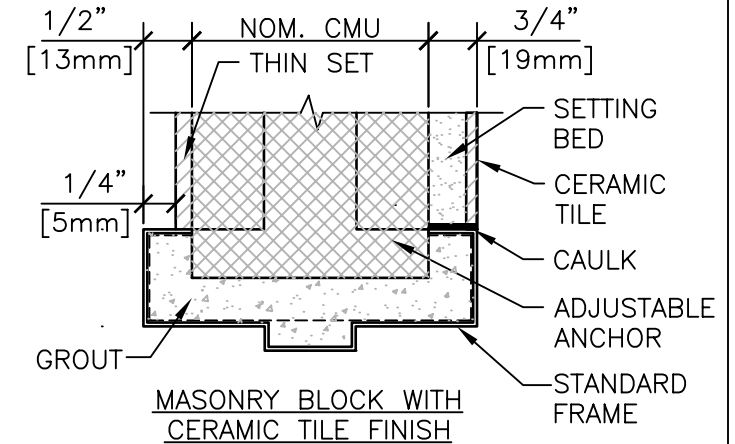
SECTIONS DOUBLE EGRESS DOORS



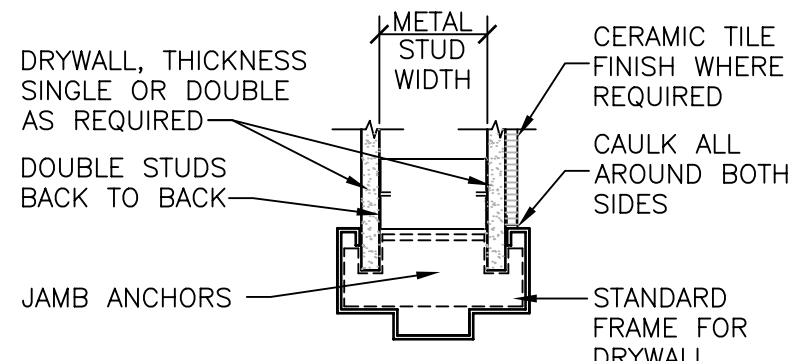
FRAMES IN MASONRY PARTITION FACED WITH GWB



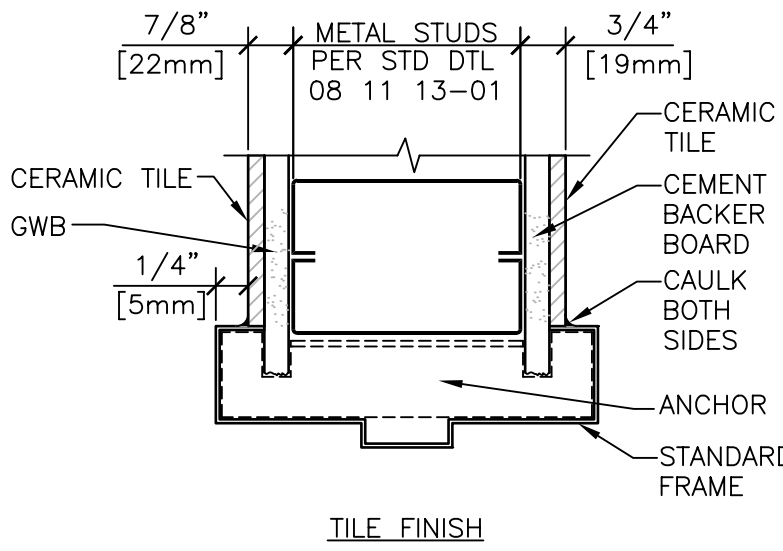
FRAME AT CONCRETE WALLS



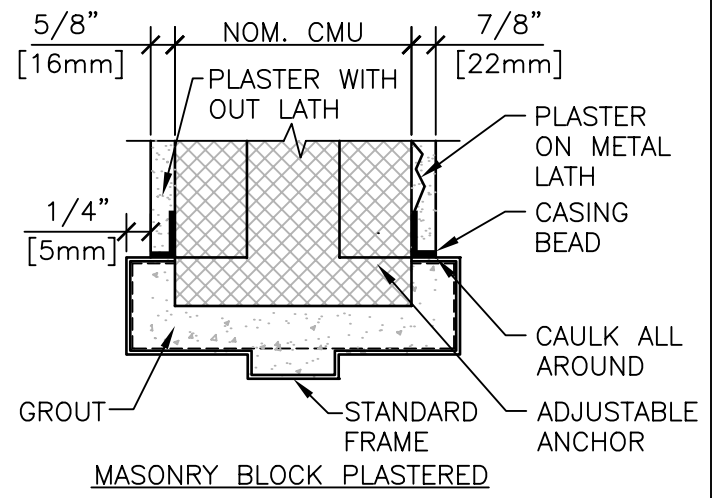
MASONRY BLOCK WITH CERAMIC TILE FINISH



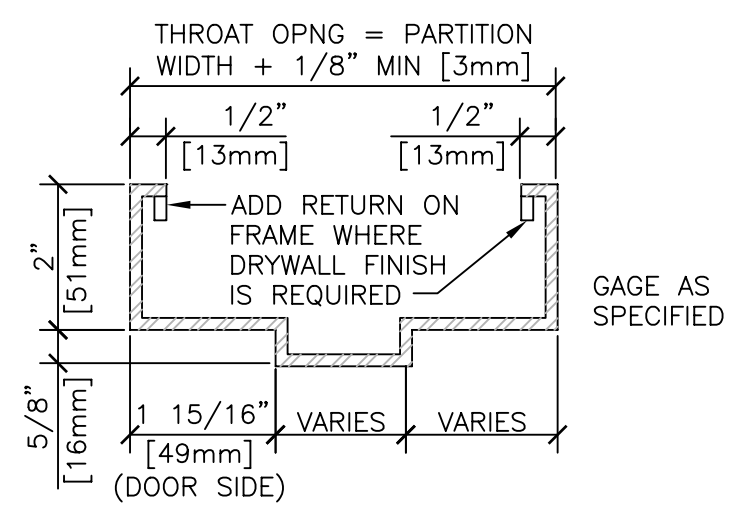
FRAMES IN METAL STUD PARTITIONS



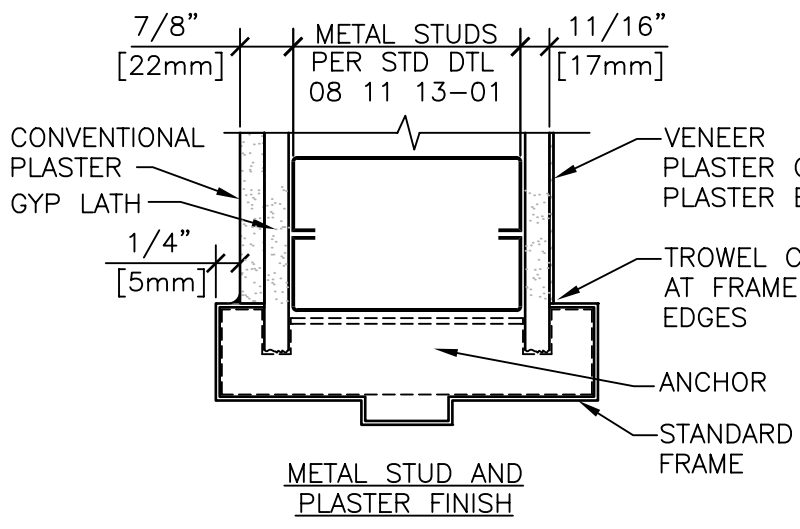
TILE FINISH



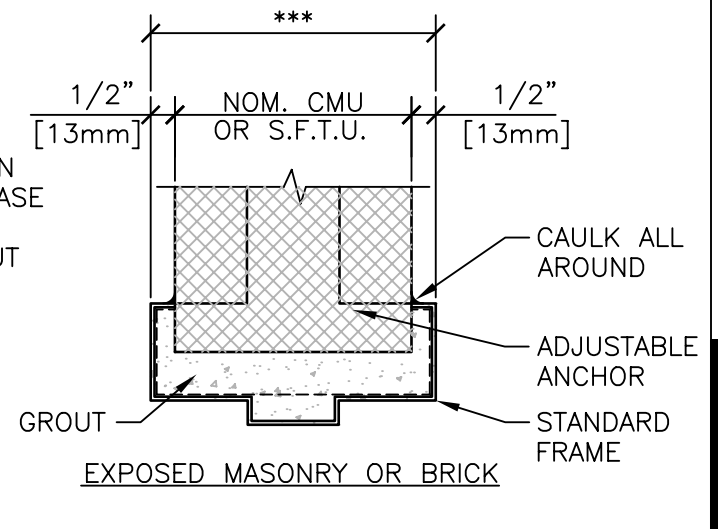
MASONRY BLOCK PLASTERED



STANDARD DOOR FRAME



FRAMES WITH METAL STUD AND PLASTER PARTITIONS



FRAMES IN MASONRY PARTITION

*** FRAME WIDTH FOR NOMINAL MASONRY
4 3/4" w/ 4" CMU [100 / 100 mm]
6 3/4" w/ 6" CMU [160 / 150 mm]
8 3/4" w/ 8" CMU [210 / 200 mm]

INTERIOR DOOR FRAMES

NTS



Department of
Veterans Affairs

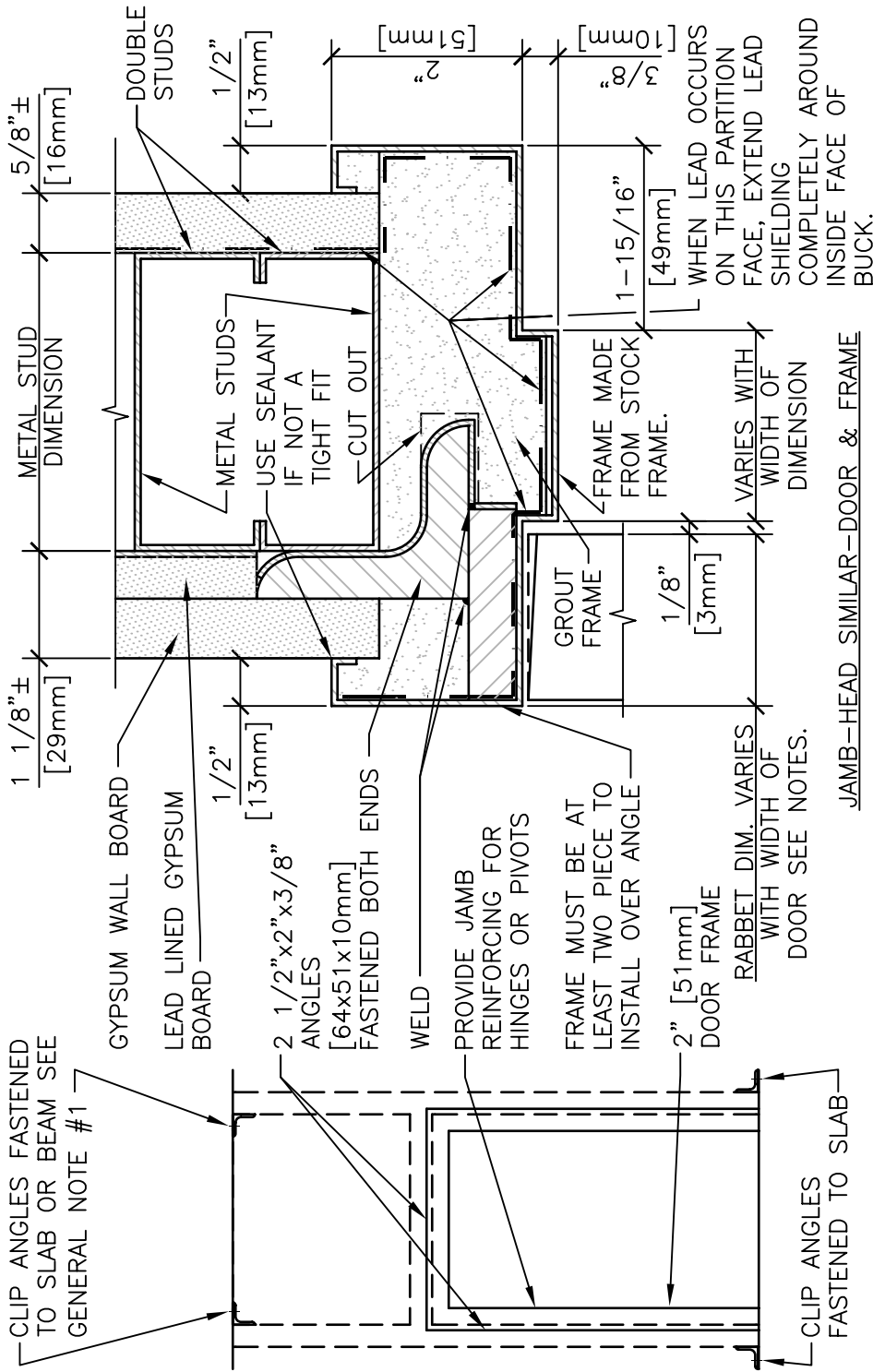
DETAIL TITLE / LEAD LINED DOOR
TYPE 15 AND FRAME

SCALE :NONE

DATE ISSUED: DECEMBER 2008

CAD DETAIL NO.:

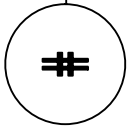
SD081113-03.DWG



ELEVATION

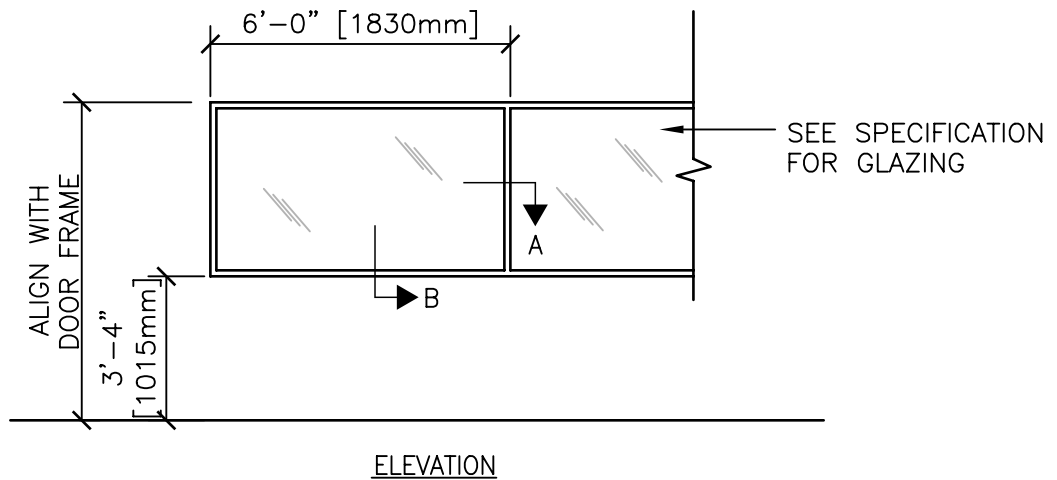
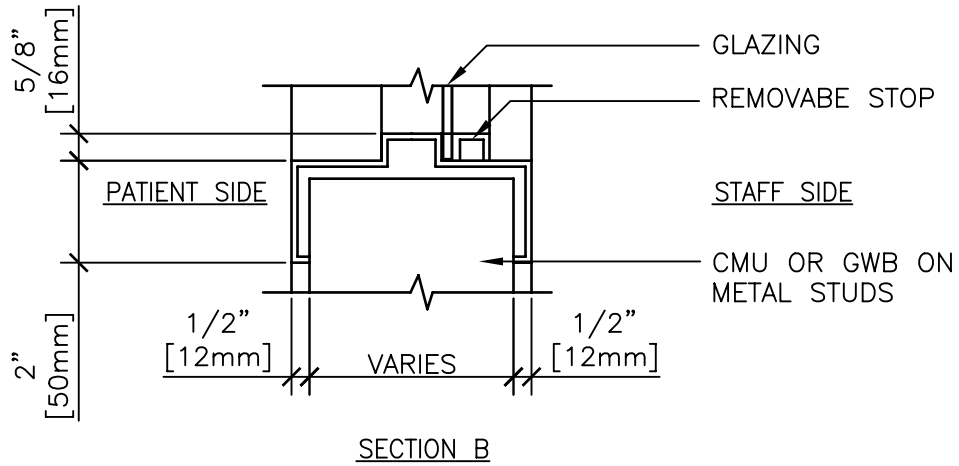
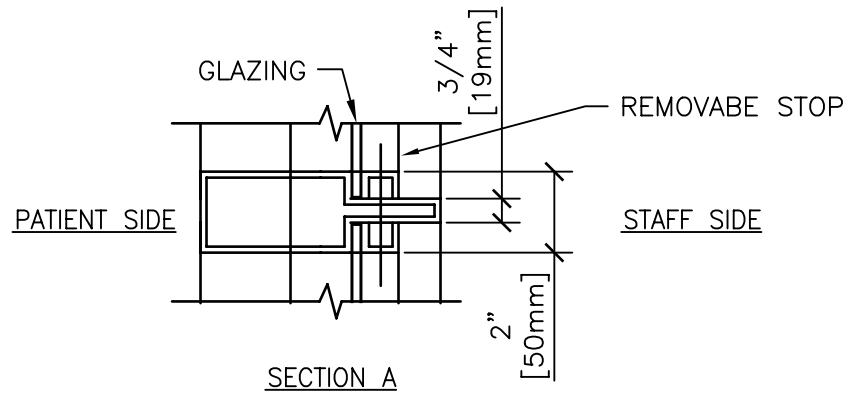
GENERAL NOTES:

1. SPECIAL ANCHORAGE OF CLIP ANGLES AT INTERSTITIAL DECKS MAY BE REQUIRED.
2. THICKNESS OF LEAD AND LEAD GLASS IN DOORS IS TO BE DETERMINED BY A REGISTERED HEALTH PHYSICIST AND REVIEWED BY THE VA HEALTH PHYSICS PROGRAM OFFICE.
3. LEAD IS NOT REQUIRED IN THE DOOR HEAD WHEN IT IS ONLY REQUIRED IN WALLS TO 7'-0" [2134mm] HEIGHT.



LEAD LINED DOOR TYPE 15 AND FRAME

NTS



GENERAL NOTES:

1. SILL HEIGHT FOR OBSERVATION WINDOWS IN GROUP THERAPY CAN BE 24" (600mm).
2. PROVIDE HEADER IN METAL STUD FRAMING & LINTEL AT MASONRY.
3. SEE SPECIFICATIONS FOR METAL GAUGES AND FASTENINGS.



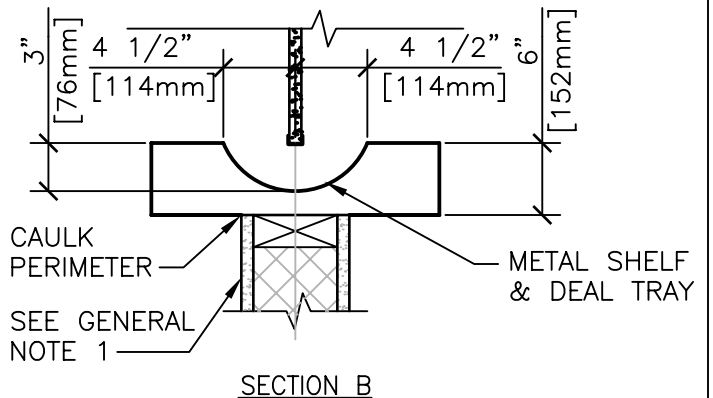
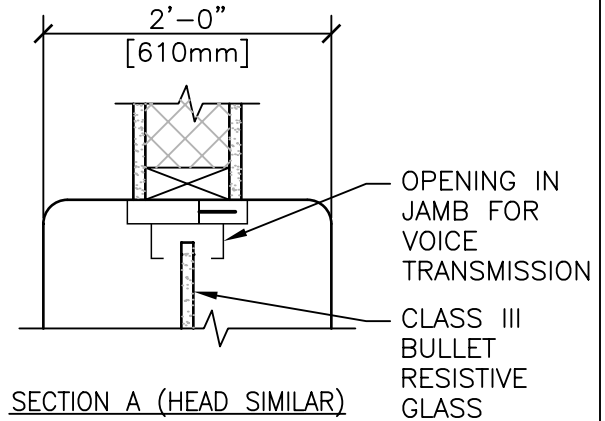
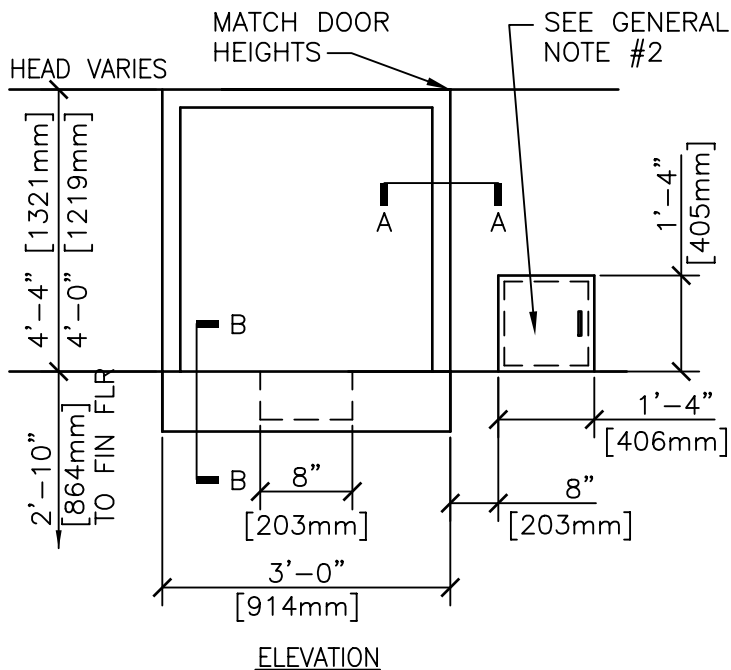
Department of
Veterans Affairs

DETAIL TITLE / OBSERVATION WINDOWS

SCALE :NONE

DATE ISSUED: DECEMBER 2008

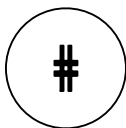
CAD DETAIL NO.: SD081113-04.DWG



GENERAL NOTES:

- 4" [102mm] OR 6" [152mm] SOLID CMU WALL w/ GYP. WALLBOARD BOTH SIDES. MASONRY WALL IS TO EXTEND TO CEILING, ABOVE CEILING EITHER A MASONRY OR GYPSUM WALLBOARD PARTITION MUST EXTEND TO UNDERSIDE OF SLAB ABOVE AROUND ENTIRE INTERIOR PHARMACY WALL. WHERE MASONRY CONSTRUCTION IS NOT FEASIBLE, PLASTIC OR LAMINATED GLASS PRODUCTS WHICH PROVIDE THE ACCEPTABLE LEVEL OF PROTECTION MAY BE USED.
- PROVIDE AN INTERLOCK ON PACKAGE TRANSFER DOORS SO THAT BOTH DOORS CANNOT BE OPEN AT THE SAME TIME.

PHARMACY SERVICE WINDOW AND PACKAGE TRANSFER



NTS



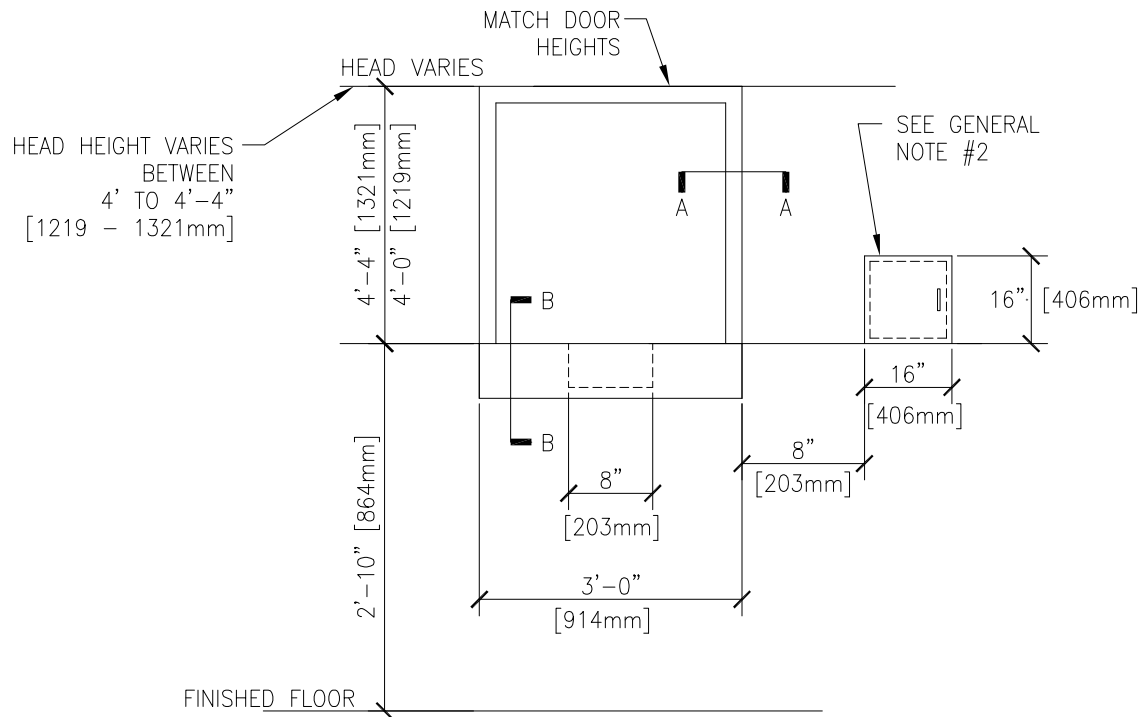
Department of
Veterans Affairs

DETAIL TITLE / PHARMACY SERVICE WINDOW
AND PACKAGE TRANSFER

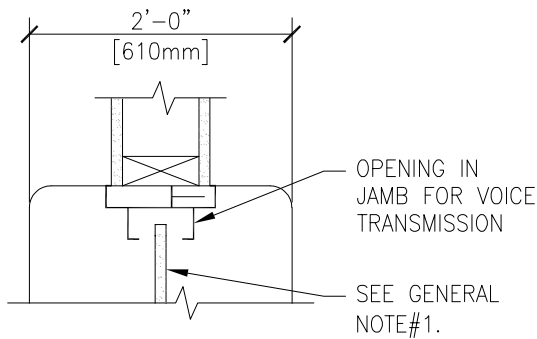
SCALE :NONE

DATE ISSUED: DECEMBER 2008

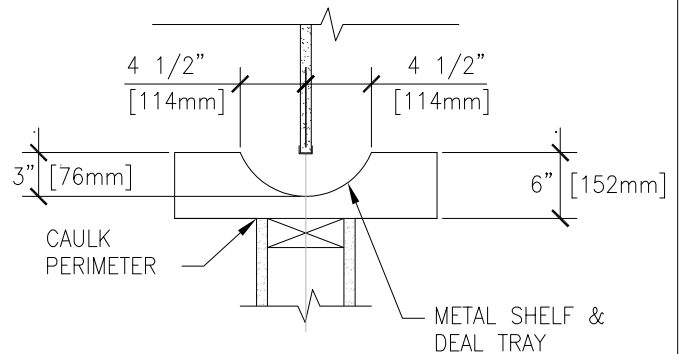
CAD DETAIL NO.: SD085659-01.DWG



ELEVATION



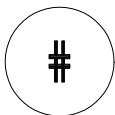
SECTION A (HEAD SIMILAR)



SECTION B

GENERAL NOTES:

1. SEE PHYSICAL SECURITY AND RESILIENCY DESIGN MANUAL (SECTION 5.12 PHARMACY) FOR ADDITIONAL DISPENSING PARTITIONS AND OPENINGS REQUIREMENTS.
2. PROVIDE AN INTERLOCK ON PACKAGE TRANSFER DOORS SO THAT BOTH DOORS CANNOT BE OPEN AT THE SAME TIME.



PHARMACY SERVICE WINDOW AND PACKAGE TRANSFER

NTS



DETAIL TITLE / PHARMACY SERVICE WINDOW
AND PACKAGE TRANSFER

SCALE: NONE

DATE ISSUED: DECEMBER 1, 2020

SD085659-01.DWG

Summary of Modifications/Changes in this Update

This Summary of Changes is for information only.
It is not a part of the referenced document, and should not be used for project documentation.

U.S. Department of Veterans Affairs ♦ Office of Construction & Facilities Management

DATE OF THIS VERSION:

December 1, 2020

TITLE OF DOCUMENT:

PHARMACY SERVICE WINDOW AND PACKAGE TRANSFER

DATE OF VERSION BEING SUPERSEDED (old):

December 1, 2008

DESCRIPTION OF DOCUMENT (previous title, number, other identifying data):

PHARMACY SERVICE WINDOW AND PACKAGE TRANSFER

SUMMARY OF CHANGES IN THIS VERSION:

1. Revised General Note 1 to reference Physical Security and Resiliency Design Manual for dispensing partitions and openings requirements. Removed CMU from Section A and Section B.